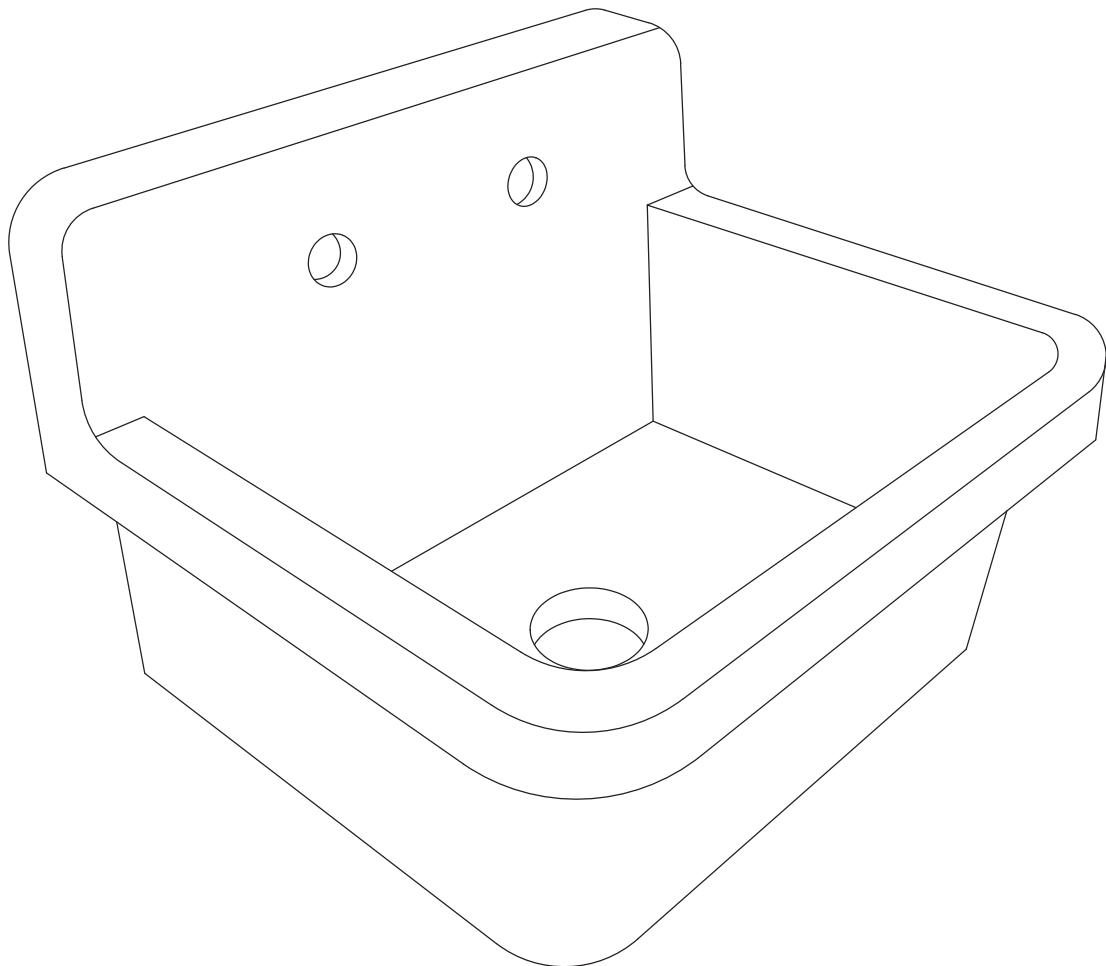


Fireclay Wall Mount Sink

Assembly Instructions

Farm Style Wall Mount Sink



Fireclay Wall Mount Sink

Assembly Instructions



Prior to Installation:

- Inspect the ceramic sink to ensure no damages have occurred while in shipping.
- Observe all plumbing and building codes in accordance with your state and local requirements.
- Additional floor and wall preparations may be necessary to avoid damage to the product.
- Make sure to purchase the correct cabinet for your undermount sink.
- Installation with laminate countertop not recommended.
- All dimensions are nominal! Be sure to measure your cabinet to installation.

General Recommendations:

Please read installation and maintenance instructions thoroughly before installing the kitchen sink.
Be sure to use proper tools and always wear proper personal safety accessories for your protection.

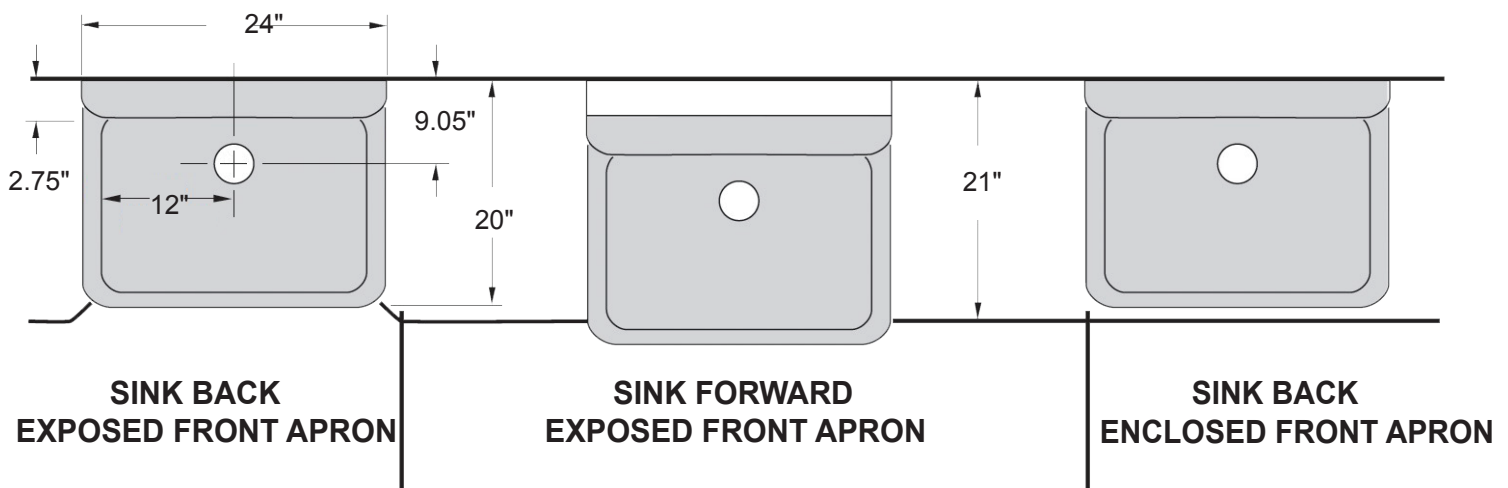
**If you have any questions or concerns
please contact us:**

Fireclay Wall Mount Sink

Assembly Instructions

1. INSTALLATION OPTIONS

- We recommend Undermount kitchen sink installation.
- Ensure there is adequate room for the faucet and backsplash installations.
- The cabinet designs illustrated below are intended as suggestions only. Your specific installation requirements may vary from those shown.
- Before proceeding, determine whether or not the sink will be installed with the front apron exposed. Other basic cabinet design options are shown below for your convenience. The sink may either be set back against the finished wall, positioned so the sink front rim flange extends from the front of the cabinet, or positioned so the sink front apron is enclosed. Be certain to plan for faucet supply lines and sink drain line.



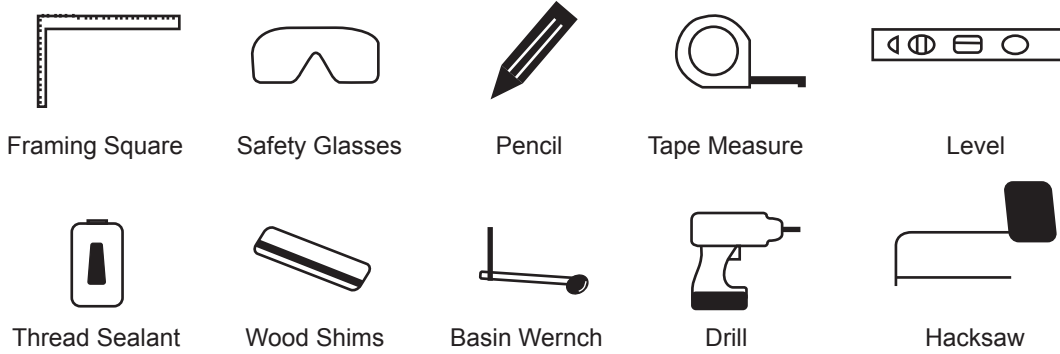
2. INSTRUCTIONS

- Unpack and inspect the sink for any shipping damages and ensure that none of the required pieces are missing. If you find any damages, do not install, please contact us.
- We recommend consulting an experienced installer to make for assistance, and providing the installer with the actual size of our sink to ensure smooth installation.
- Please use assistance when lifting the sink in order to avoid personal injury.
- We recommend consulting a professional if you are unfamiliar with installing kitchen fixtures and plumbing. We accept no liability for any damages to the floor, walls, plumbing or personal injury during installation.

Fireclay Wall Mount Sink

Assembly Instructions

3. SUGGESTED TOOLS AND MATERIALS

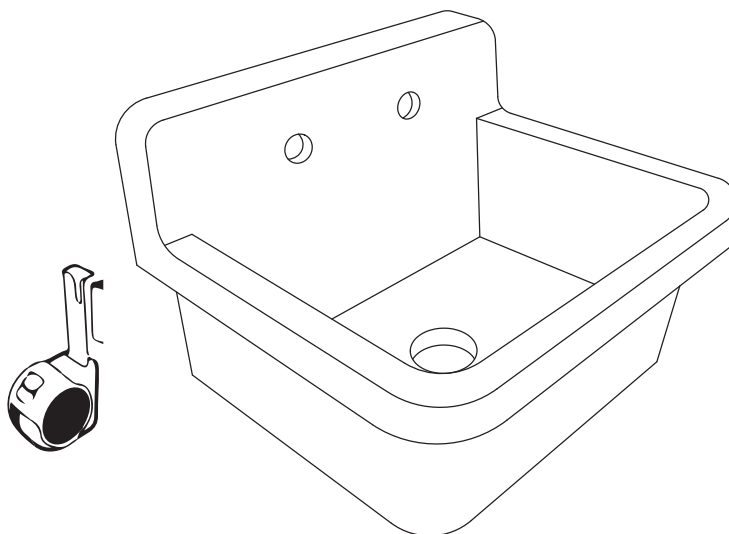


- Sealant - We recommend the use of a stone, marble and granite silicone caulk or a general purpose silicone sealant.
- Installation tools are not provided, please prepare by yourself.

4. INSTALLATION STEPS

4.1 MEASURE ACTUAL SINK

- Measure the actual size of the sink below the rim flange. The cabinet opening should equal the sink dimensions to ensure a minimum gap between the sink apron and the cabinet. If the sink is not available at the time of cabinet and support frame construction. Make allowances to add wood filler strips or spacers to the cabinet opening after you install the cabinet, and before you install the sink.

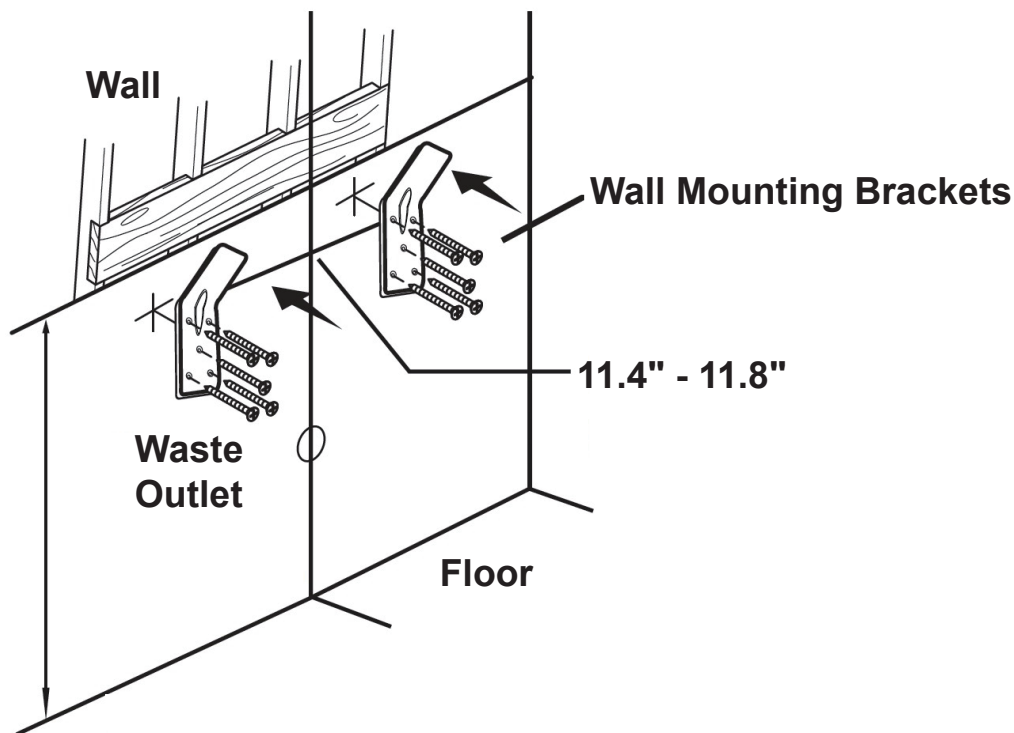


Fireclay Wall Mount Sink

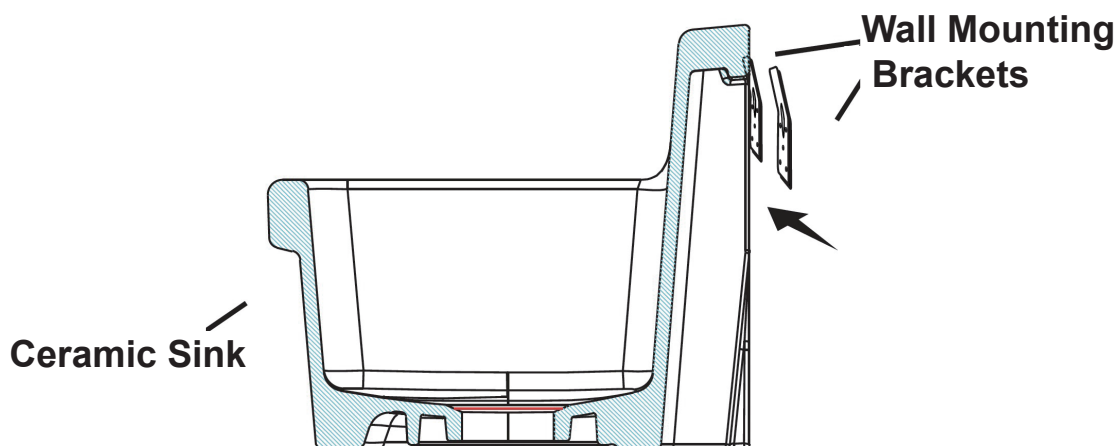
Assembly Instructions

4.2 OPTIONAL HANGER BRACKETS

- Determine the desired height. Sink should be installed between 31 in. and 34 in. from the top of the sink's lip to the floor. The center of the slots on the steel hangers should be 11.4-in to 11.8-in apart, and should sit on the back of the sink's base. Mark these measurements with a pencil, using a level to draw a plumb line for the screws. Hold the steel hangers level and mark the locations of the holes on the walls. Check to be sure the marks are level. Mount the steel hangers to the wall with two short screws (not included). Check to see that it is level before fully tightening into position.



- With help from another person, place sink onto the steel hanger. Place a level across sink and check that it is plumb. Adjust as necessary.

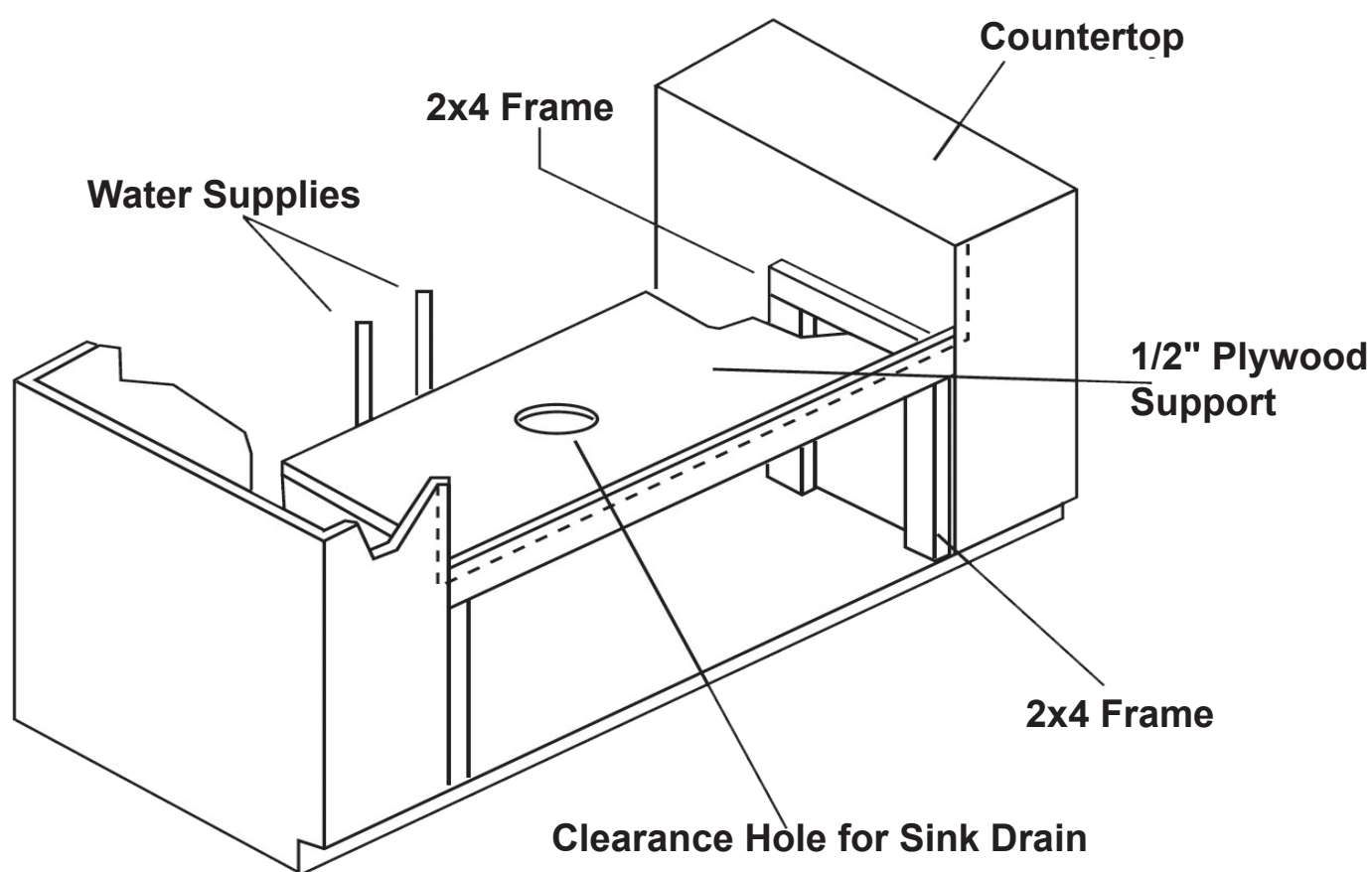


Fireclay Wall Mount Sink

Assembly Instructions

4.3 OPTIONAL CABINET AND SUPPORT FRAME

- Carefully measure and sketch the cut-out area according to the measurements taken from the actual sink. Cut out the counter-top. Construct a wood support frame (not included) inside the cabinet opening. Use 2 x 4 lumber and 1/2" plywood. Provide adequate clearance for water supplies between the support and finished wall. Locate and cut a hole for the drain. Route the water supply lines and drain Piping(NOT included). Clean the countertop around the cutout.

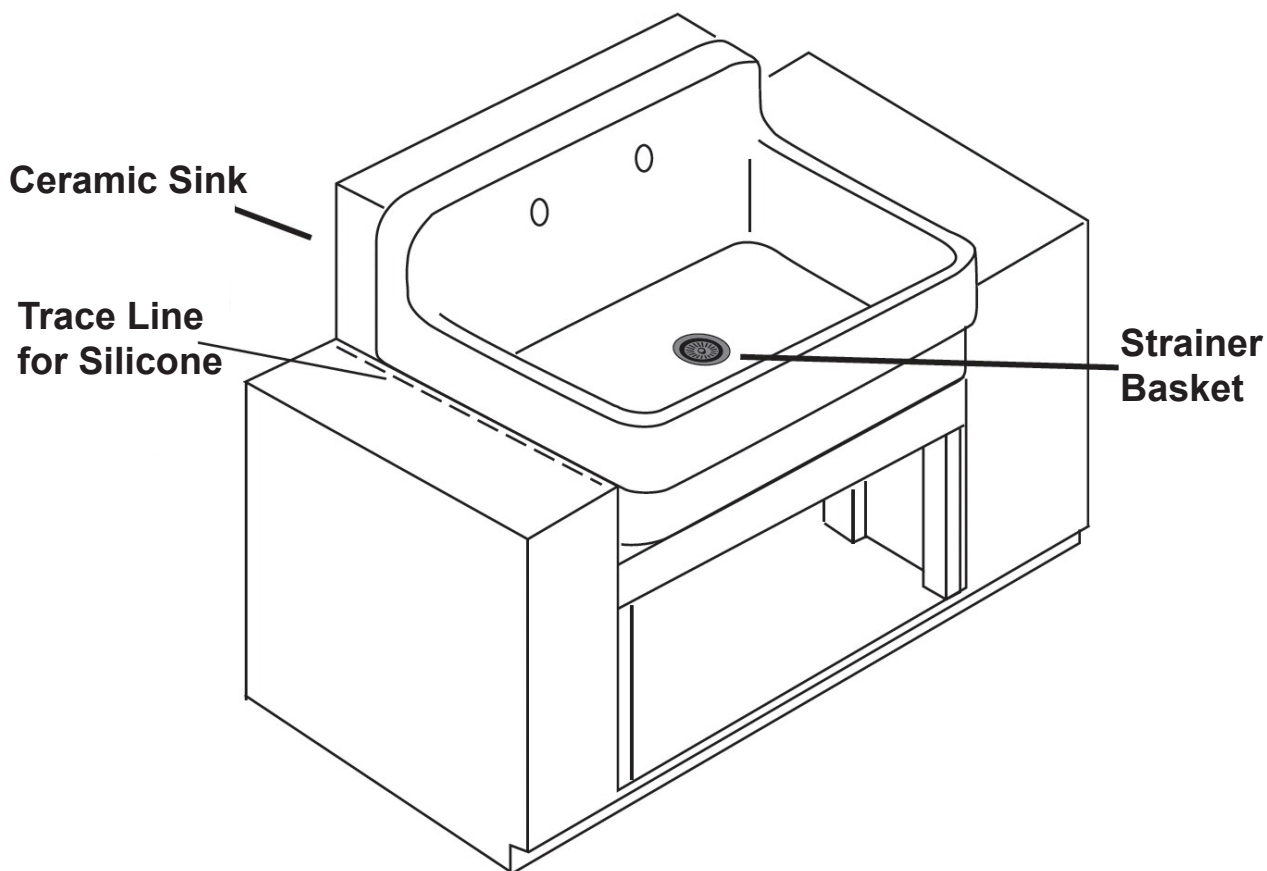


4.4 TEMPORARILY INSTALL SINK

- Check for alignment and clearance, then trace around the outside edge of the sink as a guide for installation location and application of sealant. Remove sink.

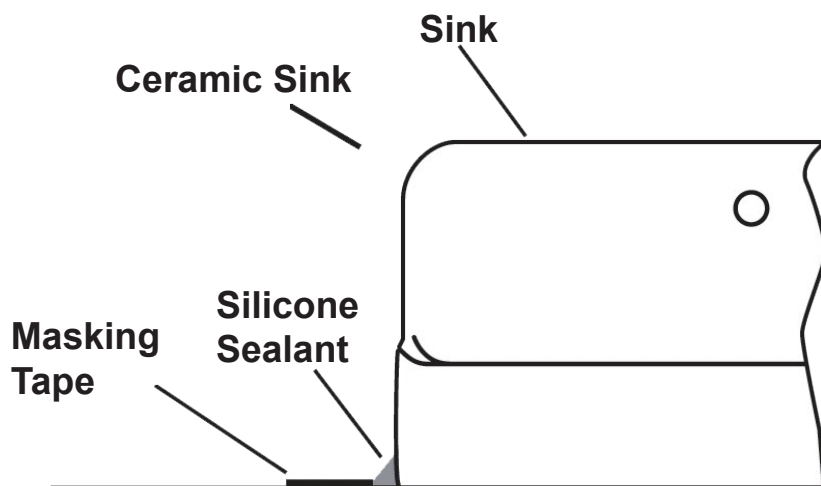
Fireclay Wall Mount Sink

Assembly Instructions



4.5 INSTALL SINK

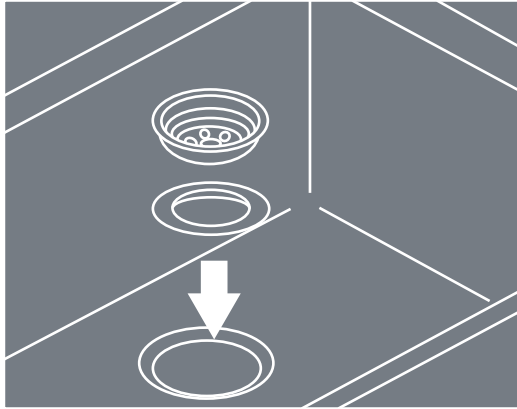
- Apply a generous portion of silicone sealant inside line traced on counter-top. Carefully lower sink into place and press down firmly. Use guidelines for proper positioning. Using water to dampen your finger, remove excess sealant for a smooth even line. Apply additional sealant if necessary to provide a uniform bead from the rim of sink to the masking tape line as shown. Carefully remove tape. Dampen finger and run it slightly over the sealant to remove any high spots.



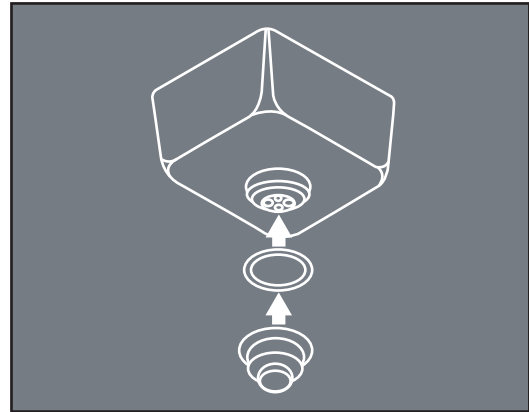
Fireclay Wall Mount Sink

Assembly Instructions

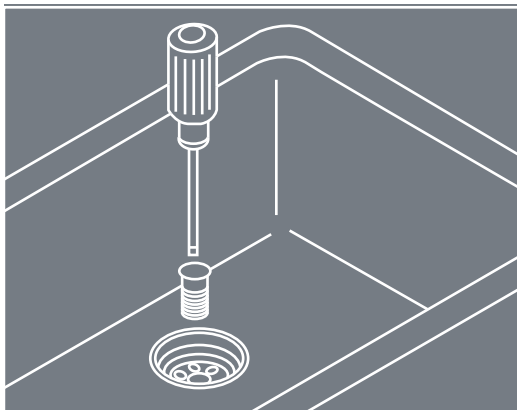
4.6 INSTALL DRAIN



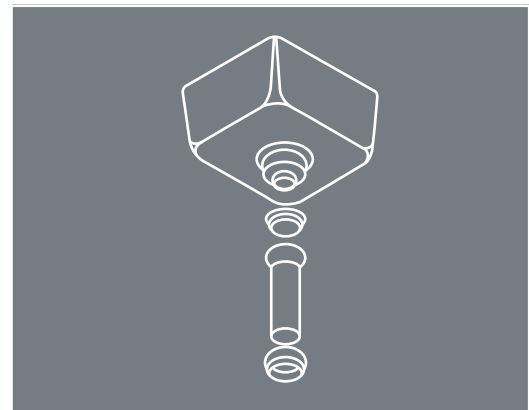
Step 1



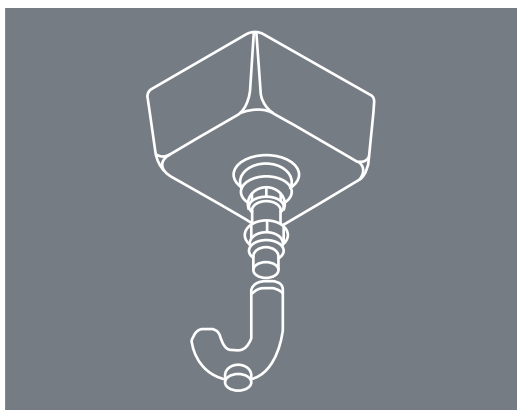
Step 2



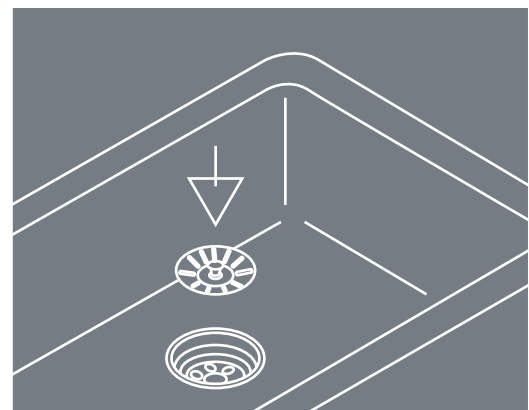
Step 3



Step 4



Step 5



Step 6