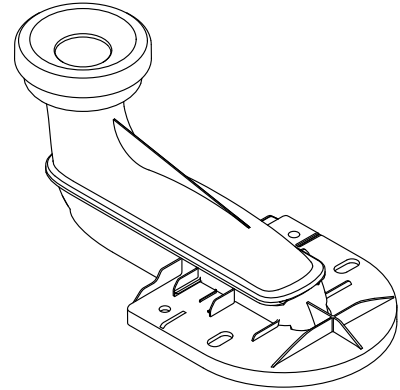


### Features

- 14" (356 mm) rough-in
- Converts standard 12" (305 mm) rough-in products to 14" (356 mm) configuration
- Plastic trapway



For complete listing of available colors, go to [kohler.com](http://kohler.com).

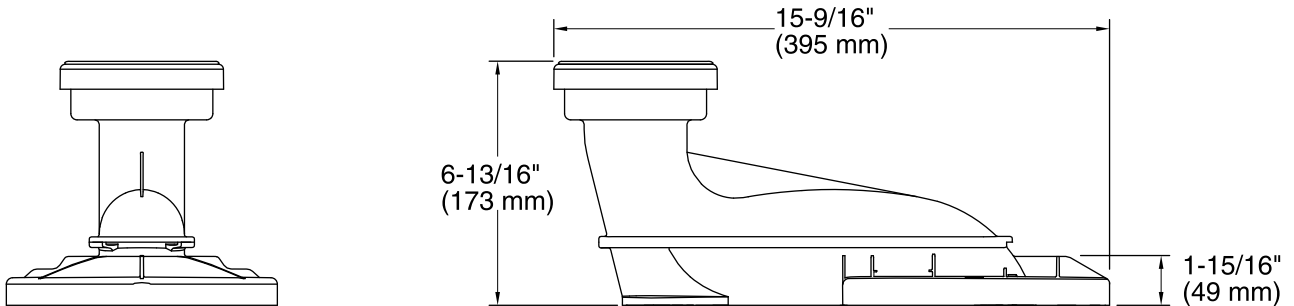
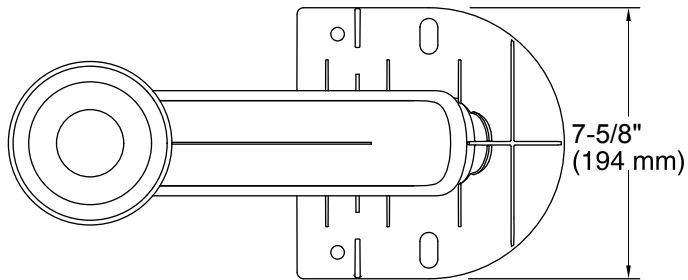
### Codes/Standards

ASME A112.19.2/CSA B45.1

See website for detailed warranty information.

### Product Specification

Full skirt trap and attachment system shall be 15-9/16" (395 mm) in length, 7-5/8" (194 mm) in width, and 6-13/16" (173 mm) in height. Attachment system shall be made of plastic. Attachment system shall convert standard 12" (305 mm) rough-in products to 14" (356 mm) configuration. Attachment system shall be KOHLER Model K-5381.



### Technical Information

All measurements are nominal.

Rough-in: 14" (356 mm)

### Installation Notes

Install this product according to the installation guide.