



Dual-compartment step trash can K-20956

Features

- Dual 5.5-gal. compartments for separating trash and recyclables.
- Fits 13-gal. trash bags.
- Fingerprint-resistant finish stays cleaner longer.
- Hands-free operation with durable metal foot pedal.
- Raised liners and locking rim for easy bag changes.
- Quiet-close lid closes gently and silently.
- Space-saving profile fits snugly against wall or cabinets.
- Hinge design protects wall from scuffs.
- Removable plastic liners are easy to clean.
- For regular cleaning, use a damp microfiber cloth. Do not use cleaners or abrasives.

Material

- Available in Stainless Steel, Black Stainless Steel, and White & Stainless Steel.

Recommended Products/Accessories

K-23729 Stainless steel cleaner



Codes/Standards




None Applicable

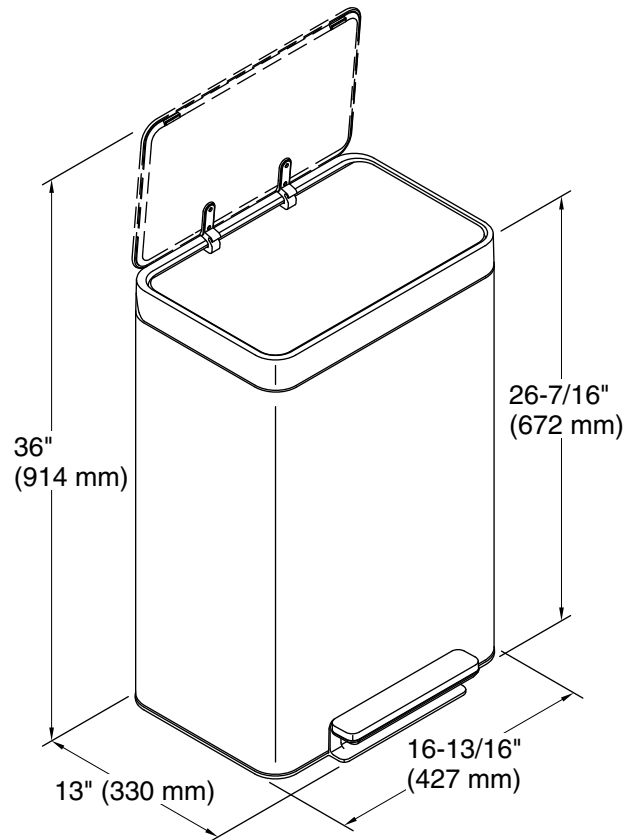
KOHLER® Step Trash Can Ten-Year Limited Warranty

See website for detailed warranty information.

Available Colors/Finishes

Color tiles intended for reference only.

Color	Code	Description
	ST	Stainless Steel
	BST	Black Stainless
	STW	White and Stainless Steel



Technical Information

All product dimensions are nominal.

Material: Stainless Steel