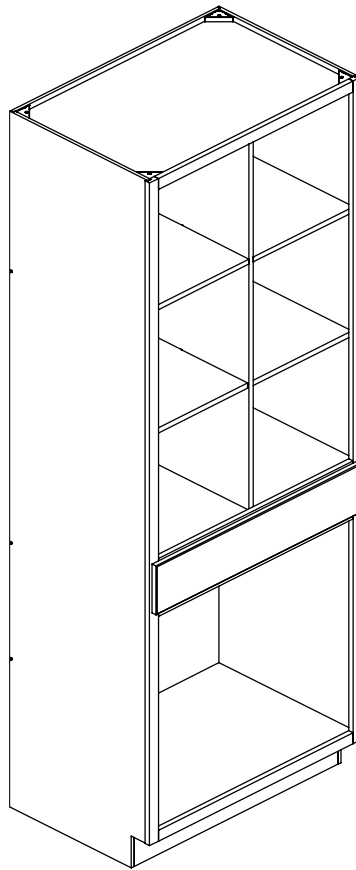


# HAMPTON BAY®

## USE AND CARE GUIDE

---

### OPEN PANTRY



Questions, problems, missing parts? Before returning to the store,  
call Hampton Bay Customer Service  
8 a.m. – 7 p.m., EST, Monday – Friday, 9 a.m. – 6 p.m., EST, Saturday

**1-855-HD-HAMPTON**

**HAMPTONBAY.COM**

---

#### **THANK YOU**

*We appreciate the trust and confidence you have placed in Hampton Bay through the purchase of this [PRODUCT]. We strive to continually create quality products designed to enhance your home. Visit us online to see our full line of products available for your home improvement needs. Thank you for choosing Hampton Bay!*


# Table of Contents

Safety Information.....2  
Warranty.....2  
Pre-Assembly .....3  
    Before You Begin .....3  
    Tools required.....3  
    Hardware Included.....3  
    Package Contents .....4


Cabinet Assembly..... 5  
Drawer Box Assembly..... 10  
Installing the Anti-tip hardware..... 14  
Care and Cleaning ..... 15

# Safety Information

Please read and understand these instructions before you begin this assembly.

 **CAUTION:** Assembly requires two people.

## CALIFORNA RESIDENTS

 **WARNING:** This product can expose you to chemicals including Formaldehyde (GAS), which is [are] known to the State of California to cause cancer. For more information go to [WWW.P65Warnings.ca.gov/products](http://WWW.P65Warnings.ca.gov/products).

**▲ WARNING**

- Unit must be placed on a level surface or leveled with included hardware (when applicable).
- Do not sit or stand on or allow children to climb, sit or stand on the assembled product.
- For safety reasons, it is imperative that this unit be mounted to the wall.
- Do not use without installing the tip restraint.
- Unit can tip over causing severe injury or death.
- Never open more than one drawer at a time.
- Do not exceed the recommended weight limits.
- Evenly distribute the weight on each level and always keep the heavier loads on the bottom.
- Before cutting, drilling or hammering into any wall or floor surface, verify the location of electrical, plumbing and gas lines. Cutting may cause serious injury.

## MINNESOTA RESIDENTS

### IMPORTANT HEALTH NOTICE

SOME OF THE BUILDING MATERIALS USED IN THIS HOME (OR THESE BUILDING MATERIALS) EMIT FORMALDEHYDE. EYE, NOSE, AND THROAT IRRITATION, HEADACHE, NAUSEA AND A VARIETY OF ASTHMA-LIKE SYMPTOMS, INCLUDING SHORTNESS OF BREATH, HAVE BEEN REPORTED AS A RESULT OF FORMALDEHYDE EXPOSURE. ELDERLY PERSONS AND YOUNG CHILDREN, AS WELL AS ANYONE WITH A HISTORY OF ASTHMA, ALLERGIES, OR LUNG PROBLEMS, MAY BE AT GREATER RISK. RESEARCH IS CONTINUING ON THE POSSIBLE LONG-TERM EFFECTS OF EXPOSURE TO FORMALDEHYDE.

REDUCE VENTILATION MAY ALLOW FORMALDEHYDE AND OTHER CONTAMINANTS TO ACCUMULATE IN THE INDOOR AIR. HIGH INDOOR TEMPERATURES AND HUMIDITY RAISE FORMALDEHYDE LEVELS. WHEN A HOME IS TO BE LOCATED IN AREAS SUBJECT TO EXTREME SUMMER TEMPERATURES, AN AIR-CONDITIONING SYSTEM CAN BE USED TO CONTROL INDOOR TEMPERATURE LEVELS. OTHER MEANS OF CONTROLLED MECHANICAL VENTILATION CAN BE USED TO REDUCE LEVELS OF FORMALDEHYDE AND OTHER INDOOR AIR CONTAMINANTS.

IF YOU HAVE ANY QUESTIONS REGARDING THE HEALTH EFFECTS OF FORMALDEHYDE, CONSULT YOUR DOCTOR OR LOCAL HEALTH DEPARTMENT.

# Warranty

Contact the Customer Service Team at 1-855-HD-HAMPTON or visit [www. Hamptonbay.com](http://www.Hamptonbay.com).

# Pre-Assembly

## BEFORE YOU BEGIN

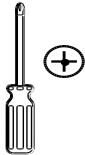
Compare all parts with the Hardware Included and Package Contents sections. If any part is missing or damaged, do not assemble this product. Contact Customer Service.

Assemble the cabinet on a soft surface such as carpet or the cardboard container of this product.

## TOOLS REQUIRED



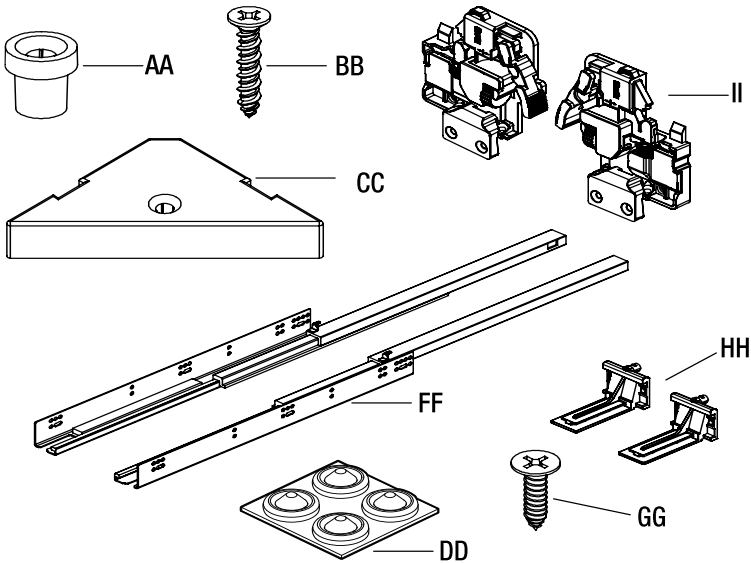
Rubber mallet



Phillips screwdriver

## HARDWARE INCLUDED

**NOTE:** Hardware not shown to actual size.

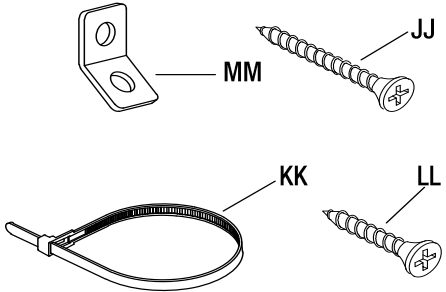


\* Extras quantity is based upon your cabinet size.

Part	Description	Quantity
AA	Posts	24
BB	#8 x 1 in. Screws (yellow)	54
CC	Corner locks	12
DD	Silicone Pads	4

\* Below hardwares are packed inside a carton box.

FF	Drawer Glides	2
GG	M4 x 15 mm Screws (silver)	10
HH	Drawer Glide Holders	2
II	Drawer Glide Attachment	2

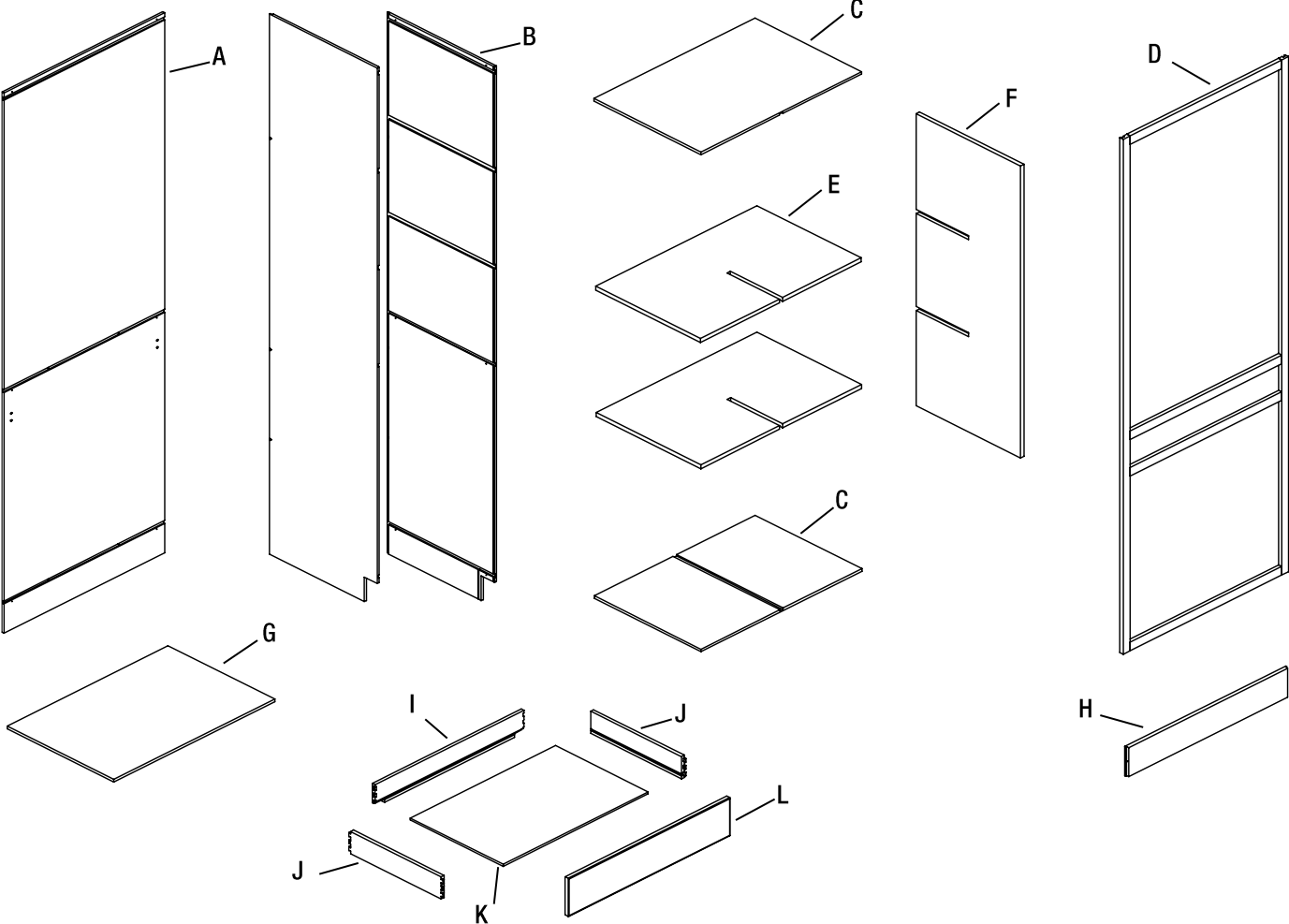


\* Below hardwares are packed inside Tipping restraint kit.

Part	Description	Quantity
JJ	Long Screw	2
KK	Plastic rope	2
LL	Short Screw	2
MM	Metal bracket	4

# Pre-Assembly

## PACKAGE CONTENTS

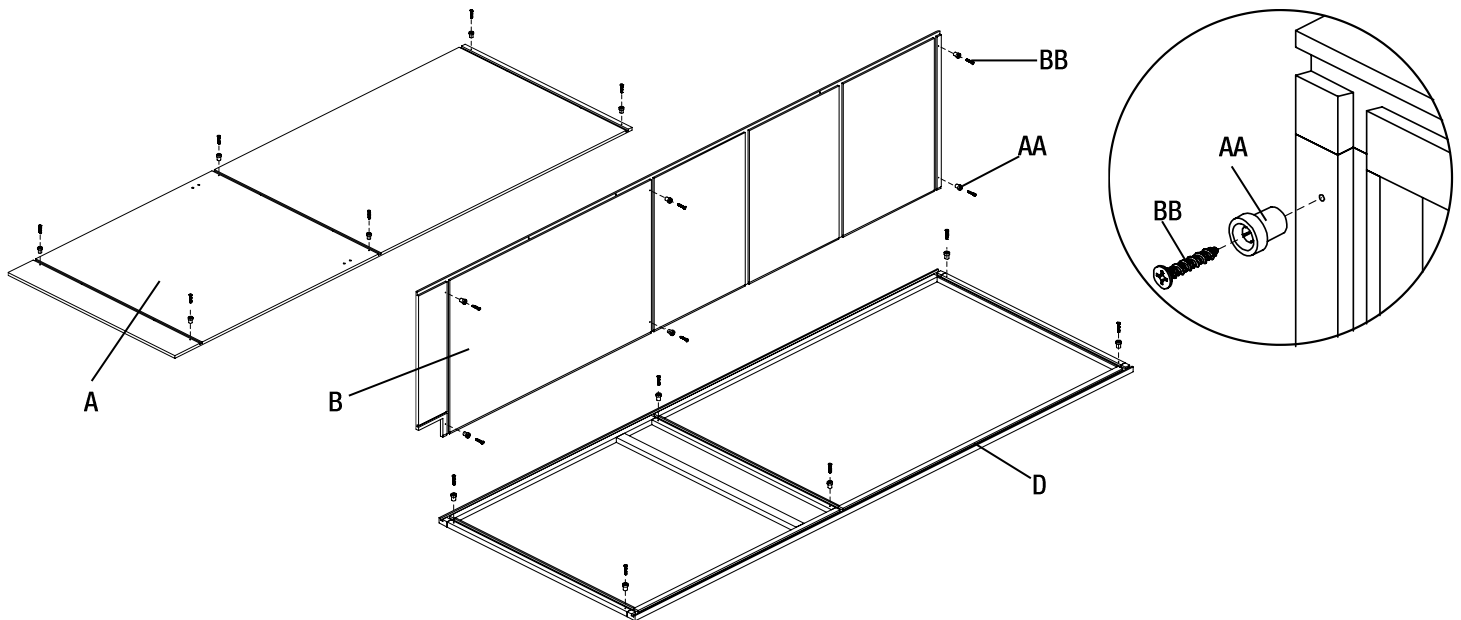


Part	Description	Quantity
A	Back Panel	1
B	Side Panel	2
C	Top/Middle Panel	2
D	Face Frame	1
E	Middle Shelves	2
F	Divider	1
G	Bottom Panel	1
H	Toe Kick	1
I	Drawer Back	1
J	Drawer Side	2
K	Drawer Bottom	1
L	Drawer Front	1

# Cabinet Assembly

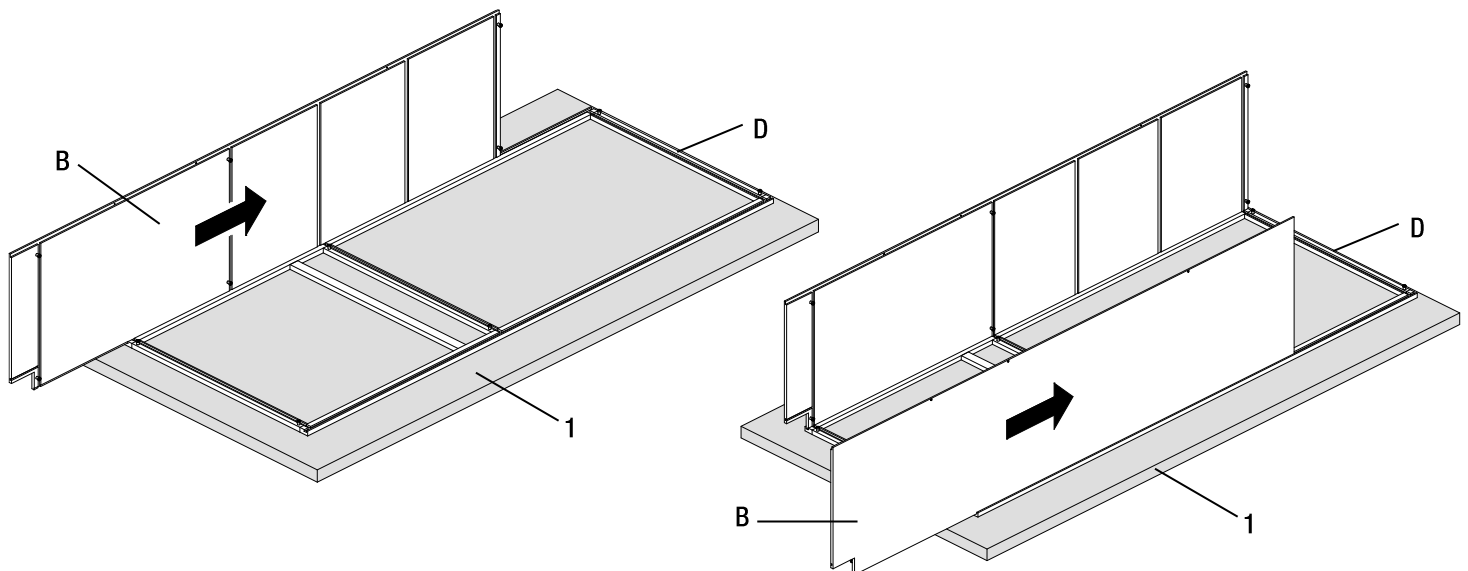
## 1 Attaching the posts to the panels

- Align six posts (AA) with pre-drilled holes on each of the panels and frame (A – B – D) and secure with six screws (BB) on each panel and frame (A – B – D).



## 2 Attaching the side panels into the face frame

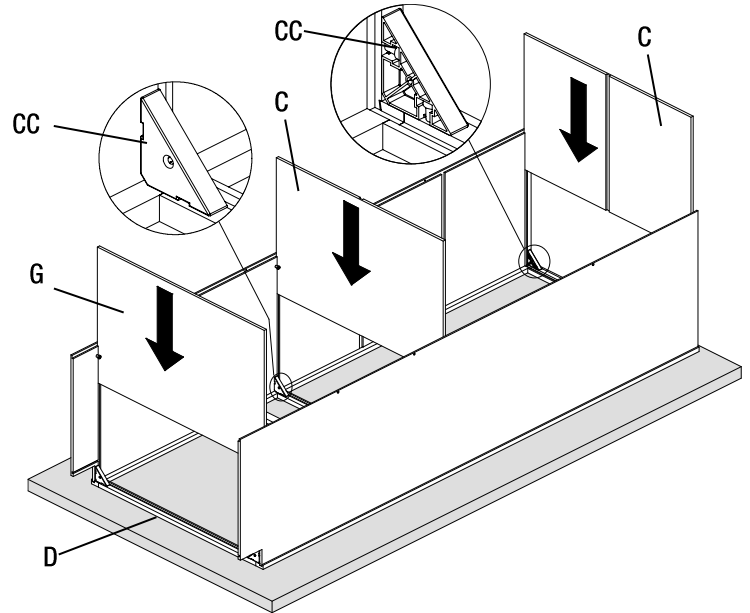
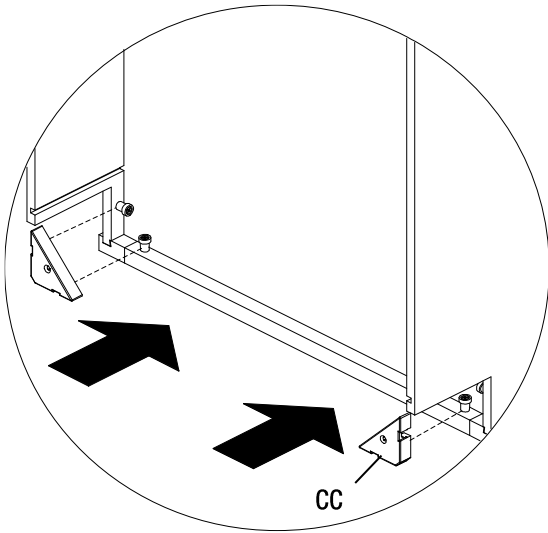
- Start by placing the face frame (D) flat on a smooth surface that will not scratch or damage the face of the cabinet, such as a towel or piece of cardboard (1) from the packaging. Slide the two side panels (B) into the mating grooves on the face frame (D).



# Cabinet Assembly

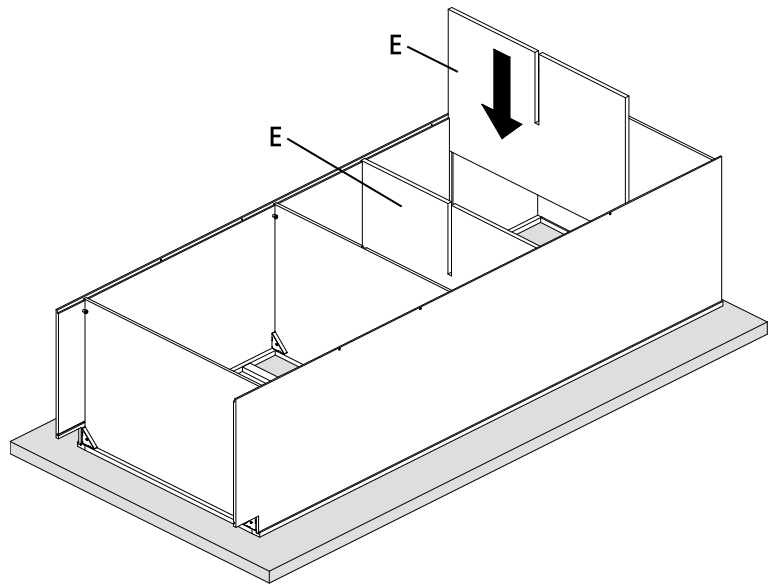
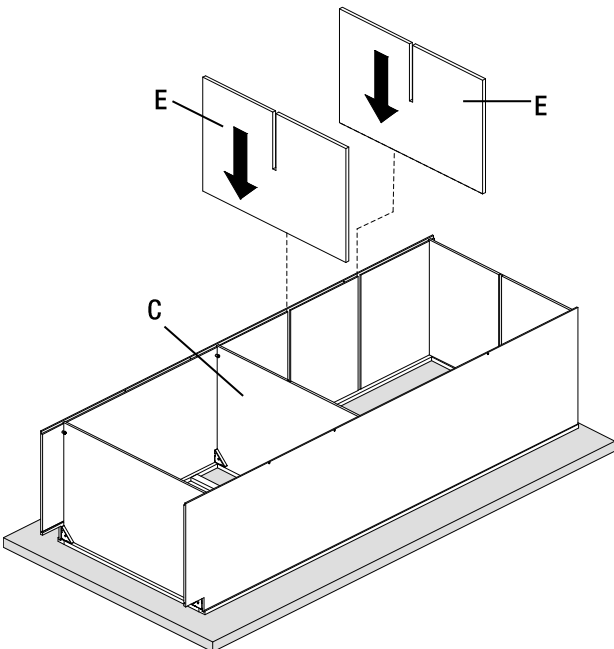
## 3 Attaching the top, middle and bottom panels

- Slide the top, middle (C) and bottom (G) panels into grooves in the sides.
- Snap six corner locks (CC) over the posts to secure the face frame (D) and side panels (B) as shown (two corner locks (CC) on the bottom, two on the top, and two under the middle panel).



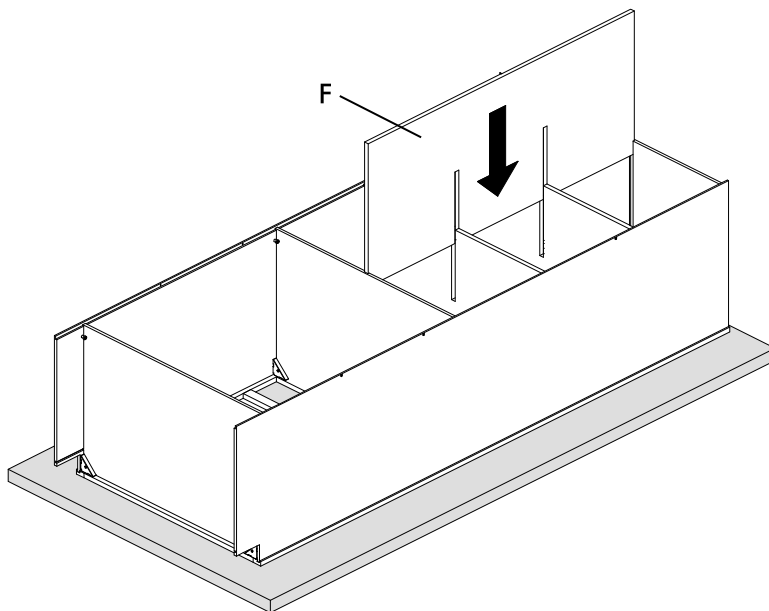
## 4 Installing the shelves

- Slide the middle shelf/shelves (E) into the grooves in the side panels, making sure the cut outs is on the back of the cabinet.



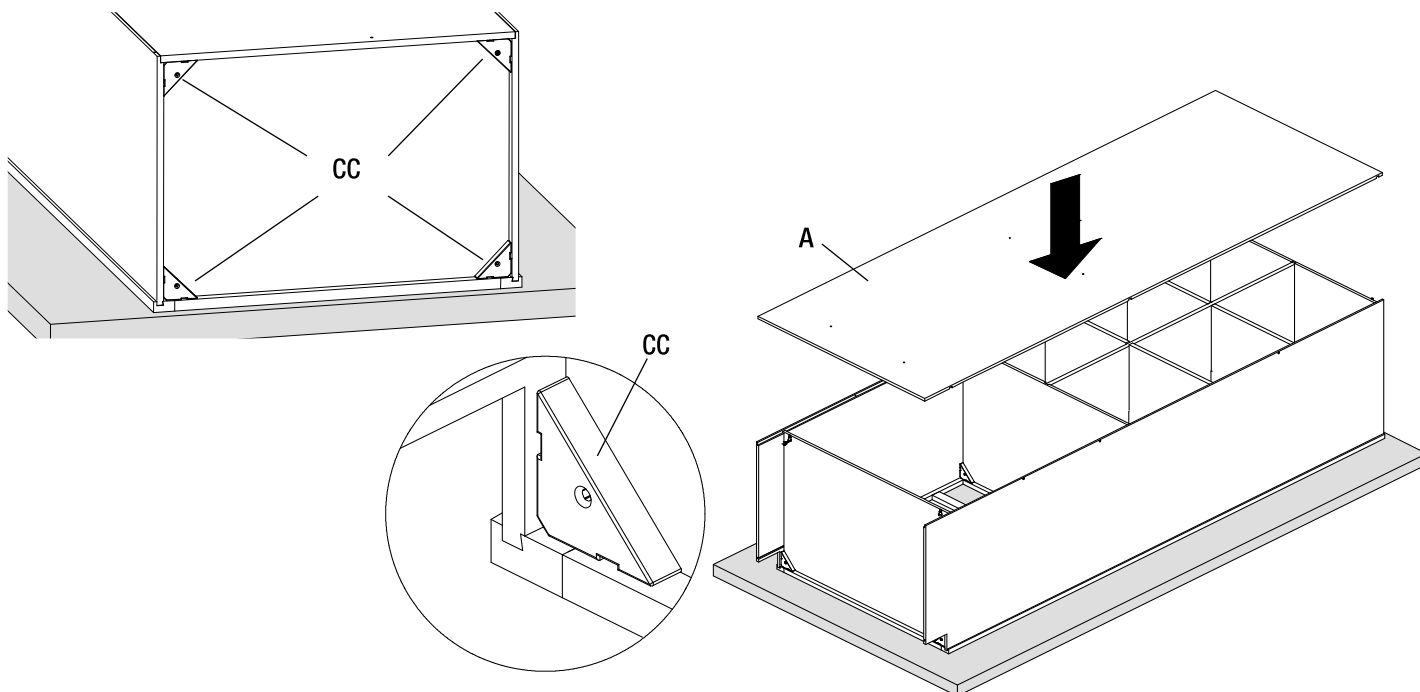
## 5 Installing the divider

- Slide divider (F) into mating grooves on the shelves



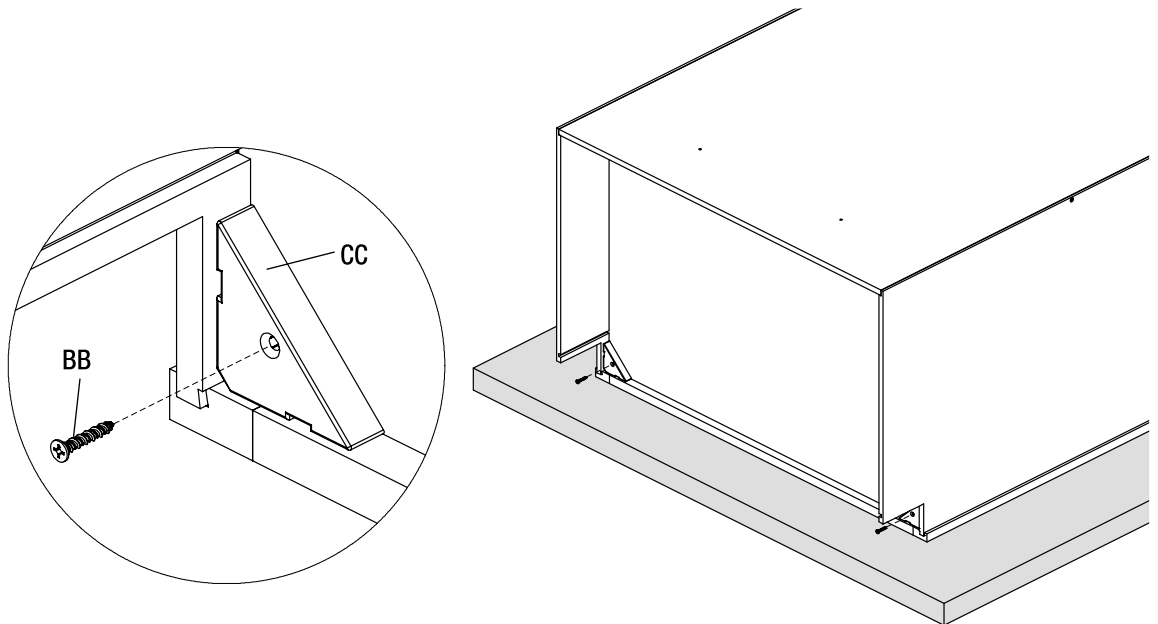
## 6 Attaching the back panel

- Install the back panel (A) and attach the 4 remaining corner locks (CC), as shown.



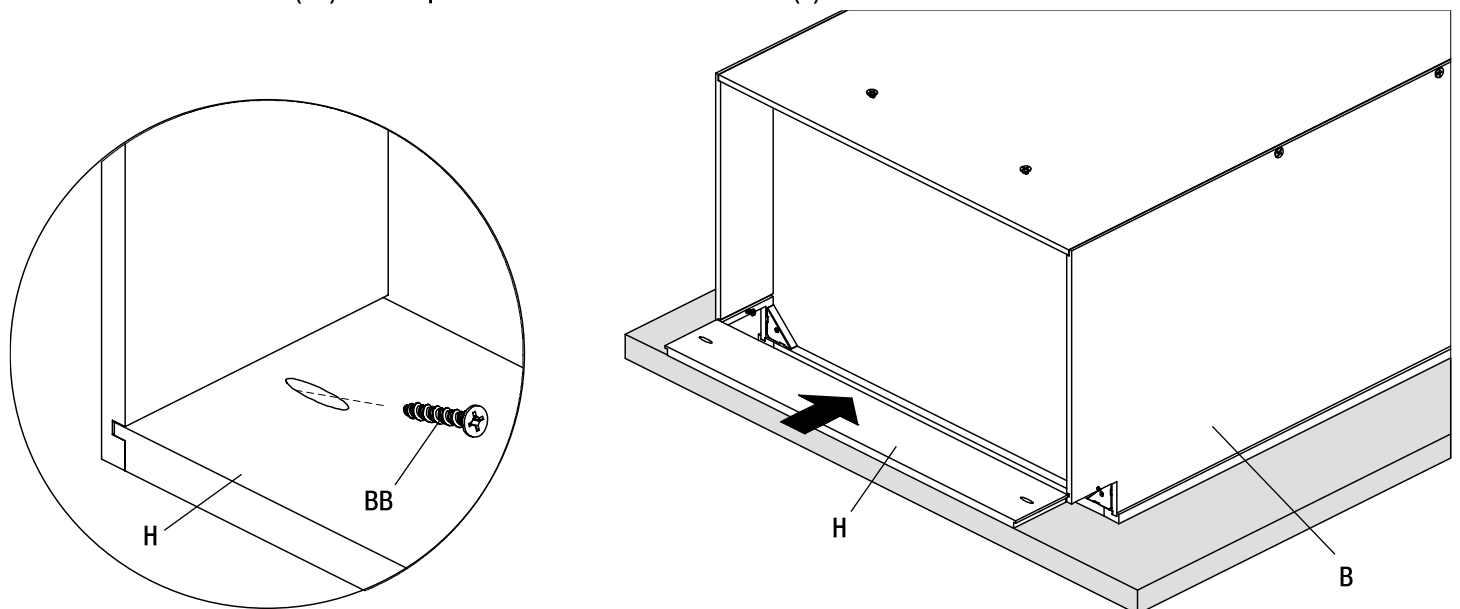
## 7 Securing the bottom corner locks

- Insert screws (BB) through the holes in the top four and bottom four corner locks (CC), and screw into the top panel (C) and bottom panel (G).



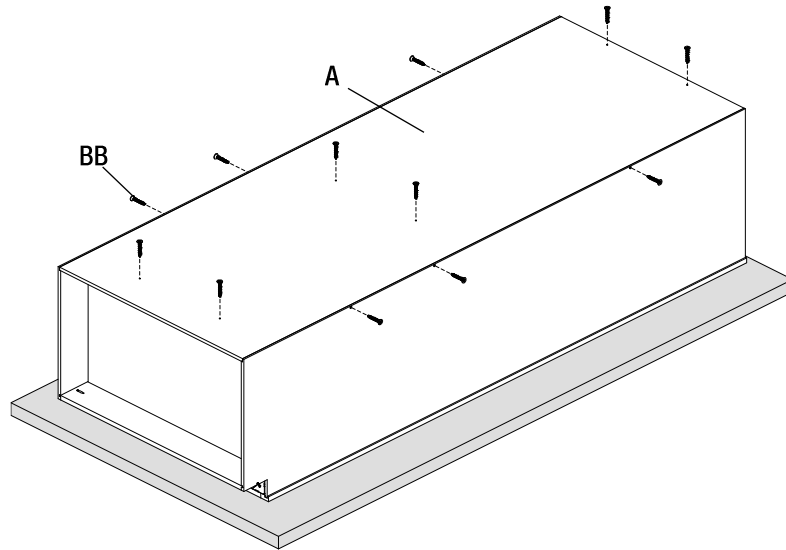
## 8 Attaching the toe kick

- Slide the toe kick (H) into the grooves of the side panels (B) so that it sits flush with the bottom of the cabinet.
- Insert two screws (BB) into the pocket holes to secure the toe kick (H) to the sides.



## 9 Securing the back and side panels

- Insert 12 screws (BB) into countersunk holes in the back (A) and side panels (B).



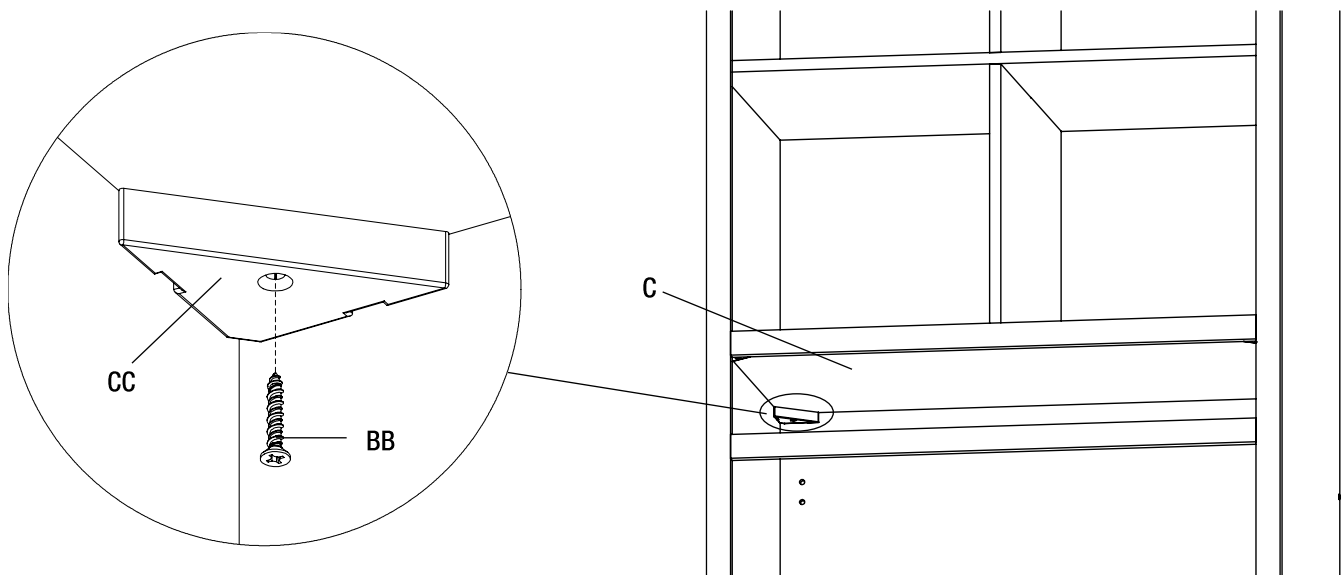
## 10 Attaching the remaining corner locks

- Lift the cabinet to a normal standing position.



**NOTE:** Two people are required for this step.

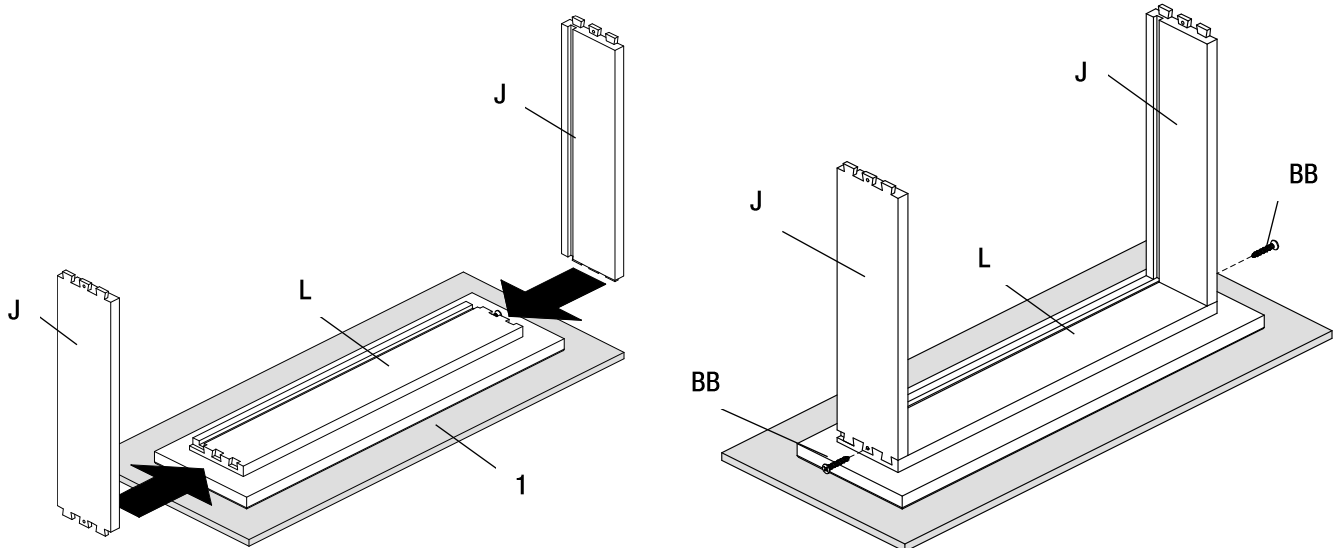
- Attach remaining two corner locks (CC) under the middle panel (C), and insert four screws (BB) through the holes in the corner locks (CC).



# Drawer Box Assembly

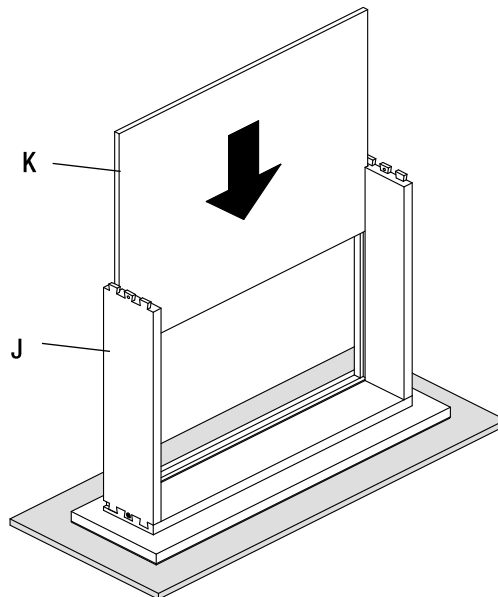
## 1 Attaching the drawer sides

- Place the drawer front (L) face down on a smooth surface that will not scratch or damage the face of the drawer, such as a towel or piece of cardboard (1) from the packaging.
- Use a rubber mallet to tap the small drawer sides (J) into place on the small drawer front (L).
- Insert a screw (BB) into the countersunk holes on each side, and partially tighten.



## 2 Attaching the drawer bottom

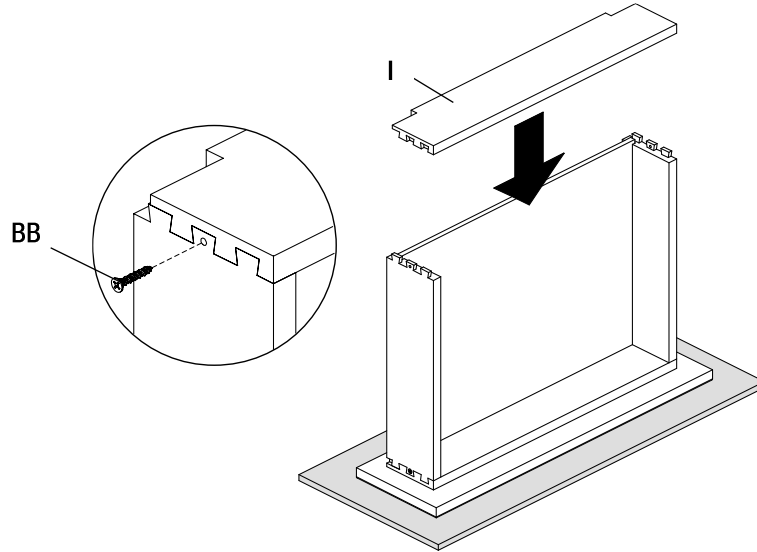
- Slide the drawer bottoms (K) into the grooves on the sides of the drawer assembly.



# Drawer Box Assembly

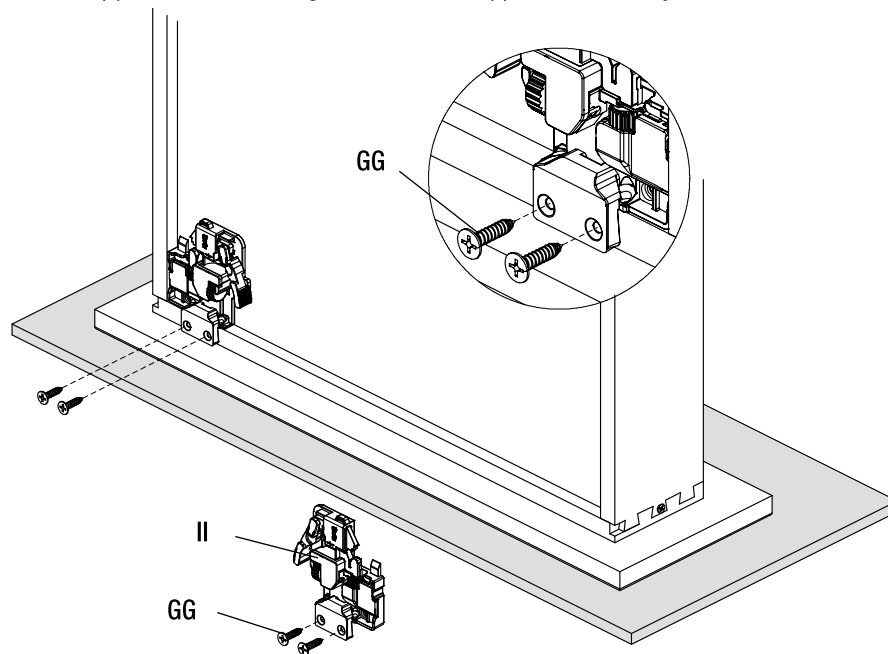
## 3 Attaching the drawer back

- Use a rubber mallet to tap the drawer back (I) into place. To fit the drawer back on, drawer sides will have to flex outwards slightly.
- Insert two more screws (BB) into the countersunk holes on each side. Fully tighten all four screws.



## 4 Attaching the drawer glide attachments

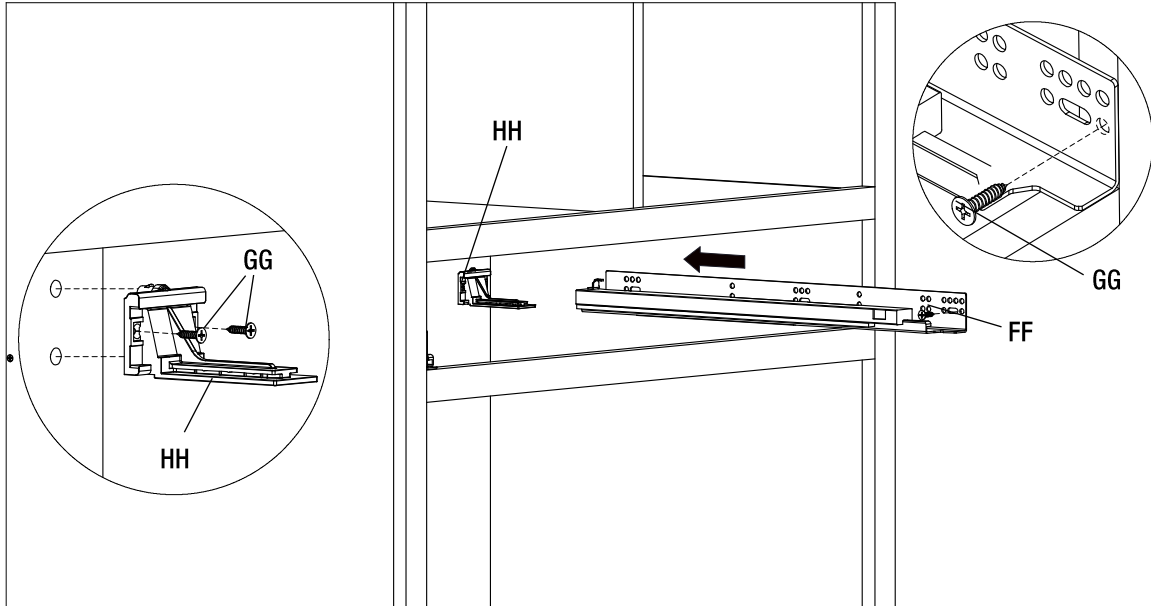
- Install two drawer glide attachments (II) to the drawer. Secure each attachment in place with the screws (GG) packaged with the drawer glide attachments (II). Make sure each glide attachment (II) is secured fully underneath each corner.



# Drawer Box Assembly

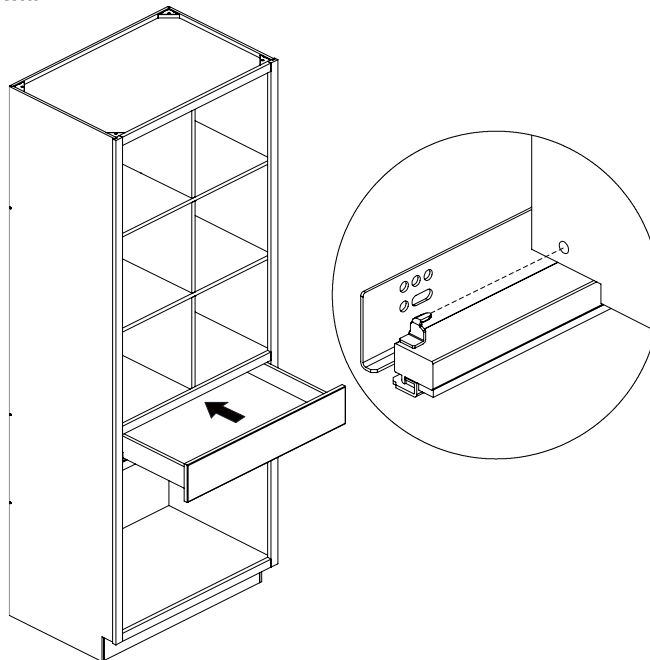
## 5 Attaching the drawer glides

- Install the HH into the pre-drilled hole and secure with screws (GG) then install the drawer glides (FF) by sliding them into the drawer glide holders (HH). Pull the drawer glides (FF) out until the front reaches the face frame and secure with a screw (GG).



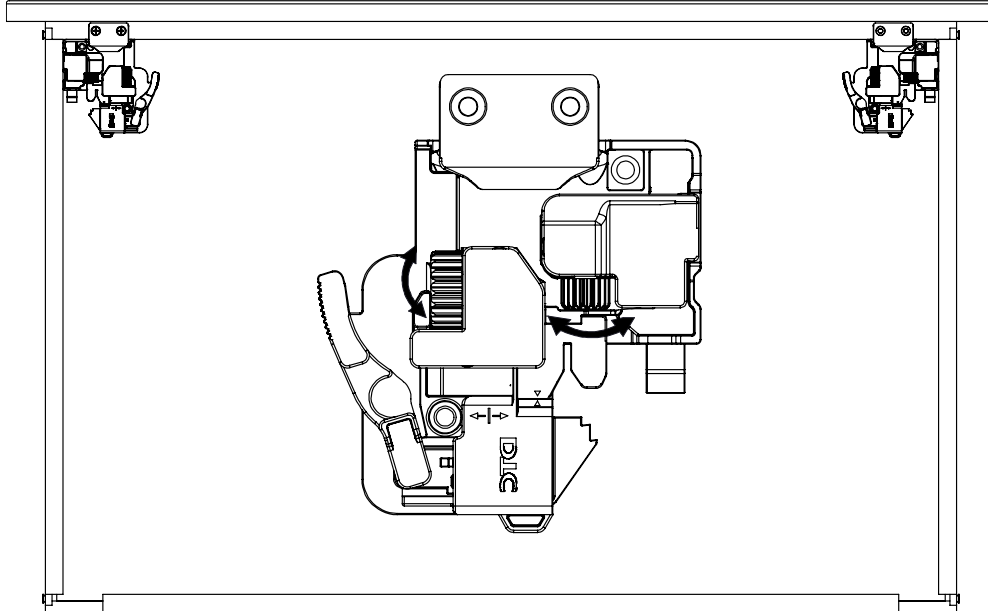
## 6 Installing the drawer

- Ensure the drawer glides are pulled out/fully extended.
- Align the drawers with the glides and then click and slide into place. Additionally, the holes in the back of the drawers need to align with the metal prong, as shown.



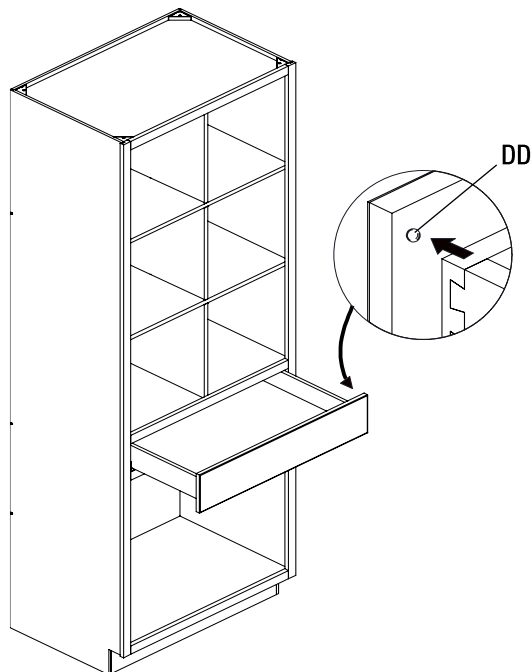
## 7 (OPTIONAL) Adjusting the drawer front

- Drawer fronts can be adjusted by turning the knobs on drawer glide attachments. Drawer fronts can be moved left, right, up, and down on each side until they are level.



## 8 Attaching silicone pads

- Peel and stick four silicone pads (DD) onto the inside corners of each drawer.

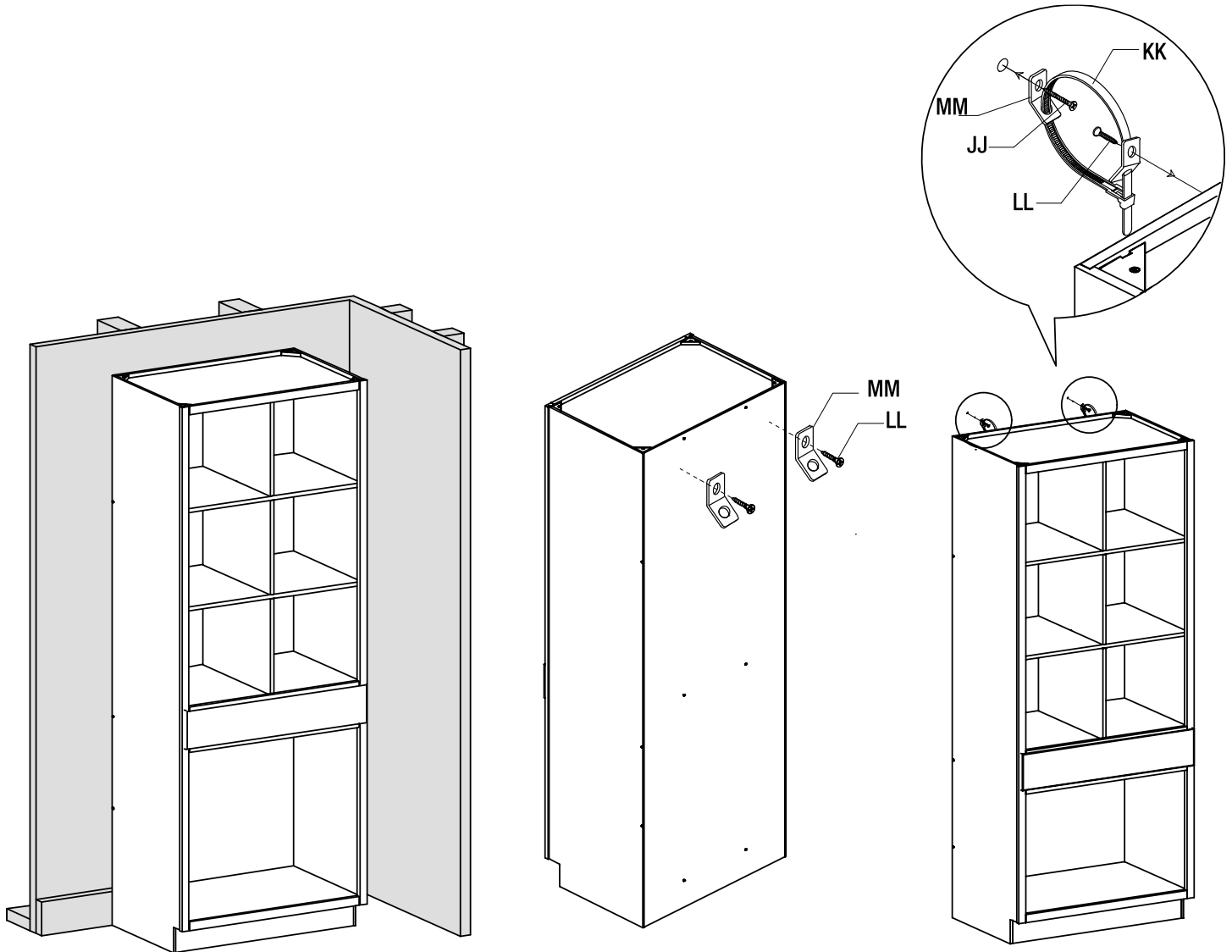


# Installing the Anti-tip hardware

- Use two screws (JJ) to attach the metal bracket (MM) to the desired location on the wall (Gypsum wallboard or concrete walls require anchors, Solidwood wall doesn't require anchors)
- Use the two screws (LL) to attach the metal bracket (MM) to the back panel (A) using the plastic rope (KK)



**WARNING:** Customer must install the tip-over restraints provided. Serious or fatal crushing injuries can occur from furniture tip-over. Use of tip-over restraints may only reduce, but not eliminate, the risk of tip-over.



## Care and Cleaning

---

- For normal spills, a damp cloth is sufficient. Dry the surface immediately.
- Doors can be cleaned with most general purpose household cleaners.
- Do not use caustic agents and/or abrasive scrubbers, or oven cleaners.
- Cabinets can be cleaned with a damp sponge or cloth using soapy water, or most general purpose household cleaners. Do not use any abrasive cleaner or scrubbers.
- Do not allow liquids to remain on the surfaces for long periods of time.

# HAMPTON BAY<sup>®</sup>

Questions, problems, missing parts? Before returning to the store,  
call Hampton Bay Customer Service  
8 a.m. – 7 p.m., EST, Monday – Friday, 9 a.m. – 6 p.m., EST, Saturday

**1-855-HD-HAMPTON**

**HAMPTONBAY.COM**

Retain this manual for future use.