

### Features

- Pairs with KOHLER Verticyl rectangular under-mount bathroom sinks.
- Pilot holes for single, 4-inch centerset, and 8-inch wideset faucets.
- Sculpted edge.
- Coordinates with the industry-standard 48-inch vanities in the KOHLER® Tailored vanity collection.
- Field trimmable for alcove and corner installations.
- Optional side and backsplashes available (sold separately).

### Material

- Solid surface.

### Installation

- Vanity top.
- Includes mounting hardware for sink.
- Accommodates single, 4-inch, and 8-inch center faucet configurations.

### Required Products/Accessories

K-2882 Under-mount Bathroom Sink

### Recommended Products/Accessories

K-23723 Faucet cleaner

### Included Components

Additional Components:  
Mounting Screws



### Codes/Standards





None Applicable

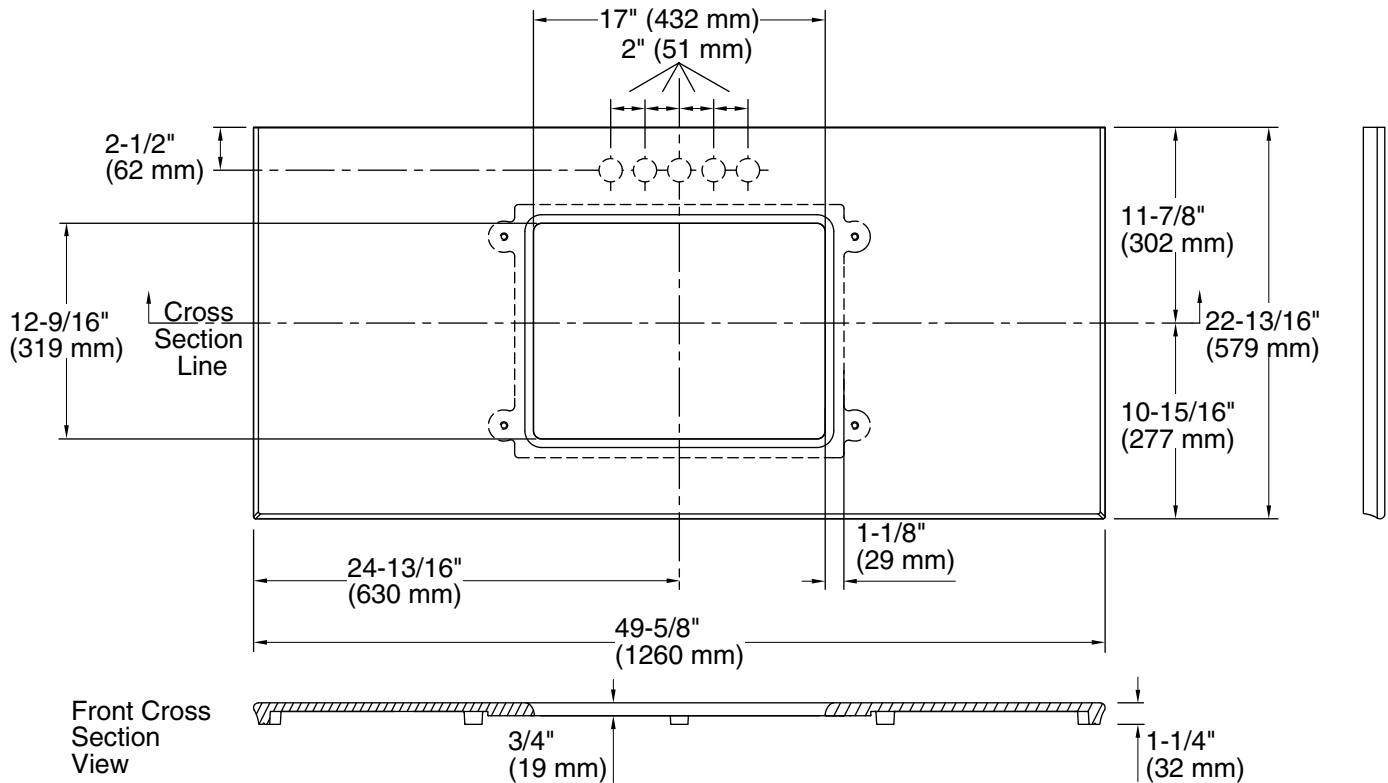
### KOHLER® One-Year Limited Warranty

See website for detailed warranty information.

### Available Colors/Finishes

*Color tiles intended for reference only.*

Color	Code	Description
	S33	White Expressions
	S34	Almond Expressions
	S35	Biscuit Expressions
	S36	Ice Grey Expressions



### Technical Information

All product dimensions are nominal.

Bowl configuration: Single

Installation: Vanity top/ITB

Bowl area (Only): Length: 17" (432 mm)  
Width: 12-9/16" (319 mm)

### Notes

Install this product according to the installation instructions.

Observe all local plumbing and building codes. This countertop is designed to be installed with a KOHLER or standard-size vanity.

Faucet hole and sink-mounting locations are marked on the underside of the countertop.