

### Features

- 30" (762 mm) minimum base cabinet width.
- Single bowl.
- 9" (229 mm) depth provides generous workspace.
- Rounded 0.59" (15 mm) corners are easy to clean.
- Angled edge allows for easy sweeping of food or water from countertop to bowl.
- Single faucet hole.
- SilentShield® sound-absorption technology offers quieter performance.
- Box includes: Sink, installation hardware.
- Optional K-28179 silicone sink mat (sold separately).

### Material

- Premium 18-gauge stainless steel.
- KOHLER stainless steel sinks resist corrosion and tarnishing.

### Installation

- Top-mount or undermount.

### Recommended Products/Accessories

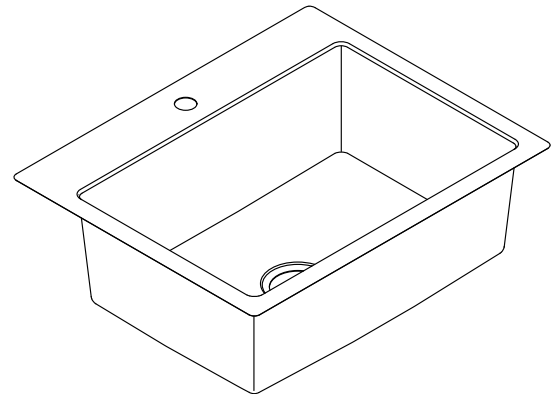
- K-28179 Silicone sink mat
- K-8803 Manual Sink Basket Strainer
- K-8801 Sink drain and strainer with tailpiece
- K-23729 Stainless steel cleaner
- K-8799 Sink drain and strainer basket

### Optional Products/Accessories

- K-11352 Disposal Flange with Stopper

### Included Components

- Additional Components:  
Installation hardware

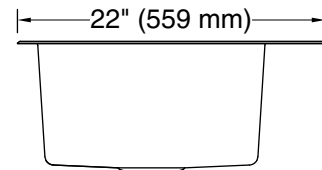
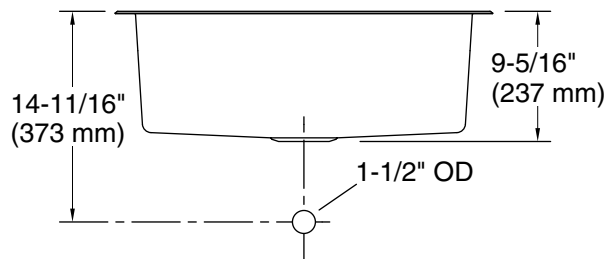
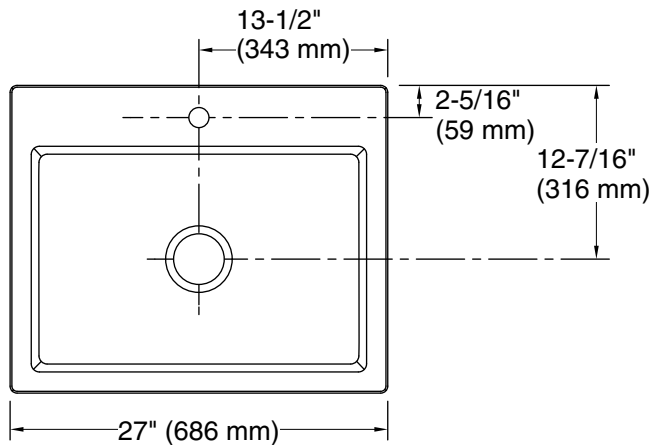


### Codes/Standards

ASME A112.19.3/CSA B45.4

### KOHLER® Stainless Steel Sinks Lifetime Limited Warranty

See website for detailed warranty information.



### Technical Information

All product dimensions are nominal.

- Bowl configuration: Single
- Installation: Top-mount, Undermount
- Cutout: Top-mount, 26-1/2" x 21-1/2" (673 mm x 546 mm) with 1/2" (13 mm) radius corners
- Bowl area (Only): Length: 24" (609 mm)  
 Width: 16-1/8" (410 mm)  
 Bowl depth: 9" (229 mm)  
 Water depth: 9" (229 mm)
- Number of deck holes: 1
- Faucet hole(s): 1-7/16" (37 mm)
- Drain hole: 3-5/8" (92 mm)
- Template: Top-mount/Undermount, 1498974-7, required, included

### Notes

Install this product according to the installation instructions.