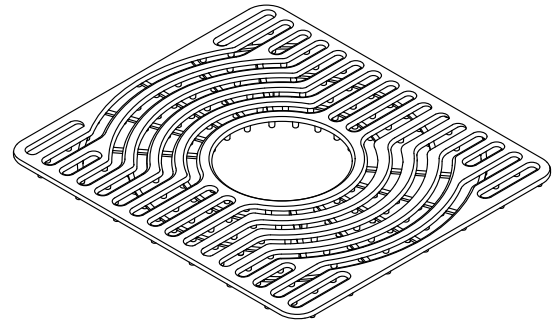


Features

- Protects bottom of sink from scratches.
- Heat-resistant and dishwasher-safe.
- Center drain hole.
- For use with KOHLER® Cursiva double-equal kitchen sink models K-RH28175-1 and K-RH28175-1PC.

Material

- Silicone.

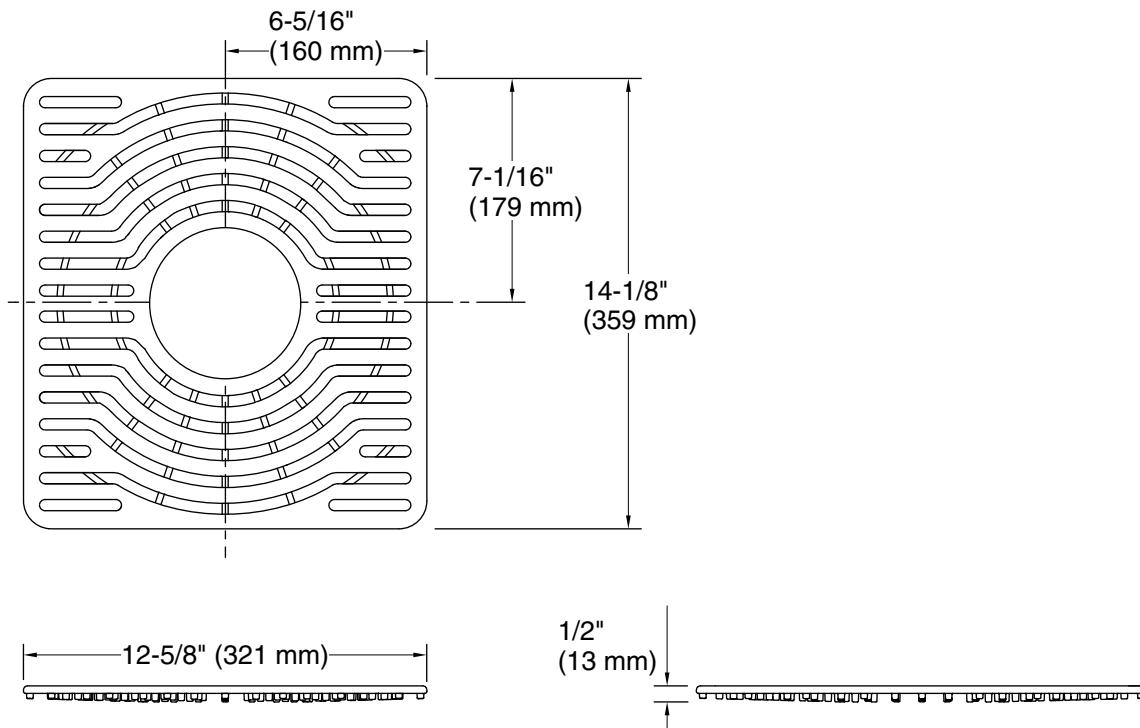


Codes/Standards

None Applicable

KOHLER® One-Year Limited Warranty

See website for detailed warranty information.



Technical Information

All product dimensions are nominal.

Material: Silicone