

### Features

- Three-function pull-down sprayhead with touch control allows you to switch between aerated stream, ring spray and Boost technology
- Ring spray provides powerful jets of water for rinsing your dishes and sink
- Boost technology increases the flow rate by 30% with the press of a button. Use Boost with stream for faster filling or with ring spray for more powerful cleaning
- DockNetik® secure docking system locks sprayhead into place when not in use
- ProMotion® technology's light, quiet braided hose and swiveling ball joint make the pull-down sprayhead easier and more comfortable to use
- MasterClean™ sprayface features an easy-to-clean surface that withstands mineral buildup and maximizes spray performance
- KOHLER® ceramic disc valves exceed industry longevity standards for a lifetime of durable performance
- High-arch swivel spout offers superior clearance for filling pitchers and cleaning
- Single lever handle is simple to use and makes adjusting water temperature easy
- 1.5 gpm (5.7 lpm) maximum flow rate at 60 psi (4.14 bar)
- Box includes: Assembled faucet, supply lines, escutcheon plate

### Material

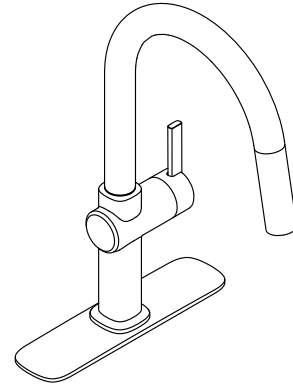
- Premium material construction for lasting durability
- KOHLER® finishes resist corrosion and tarnishing
- Spot Repel® finish resists fingerprints, smudges, and water spots (Matte Black finish only)
- Select KOHLER finishes feature ScratchShield® technology which withstands even the toughest daily use

### Installation

- Installs with 1- or 3-hole sink
- Flexible supply lines and quick-connect fittings simplify installation
- Longer shank works with countertops up to 2-1/2" (63.5 mm) thick and is easy to install

### Recommended Products/Accessories

K-23723 Faucet cleaner



ADA

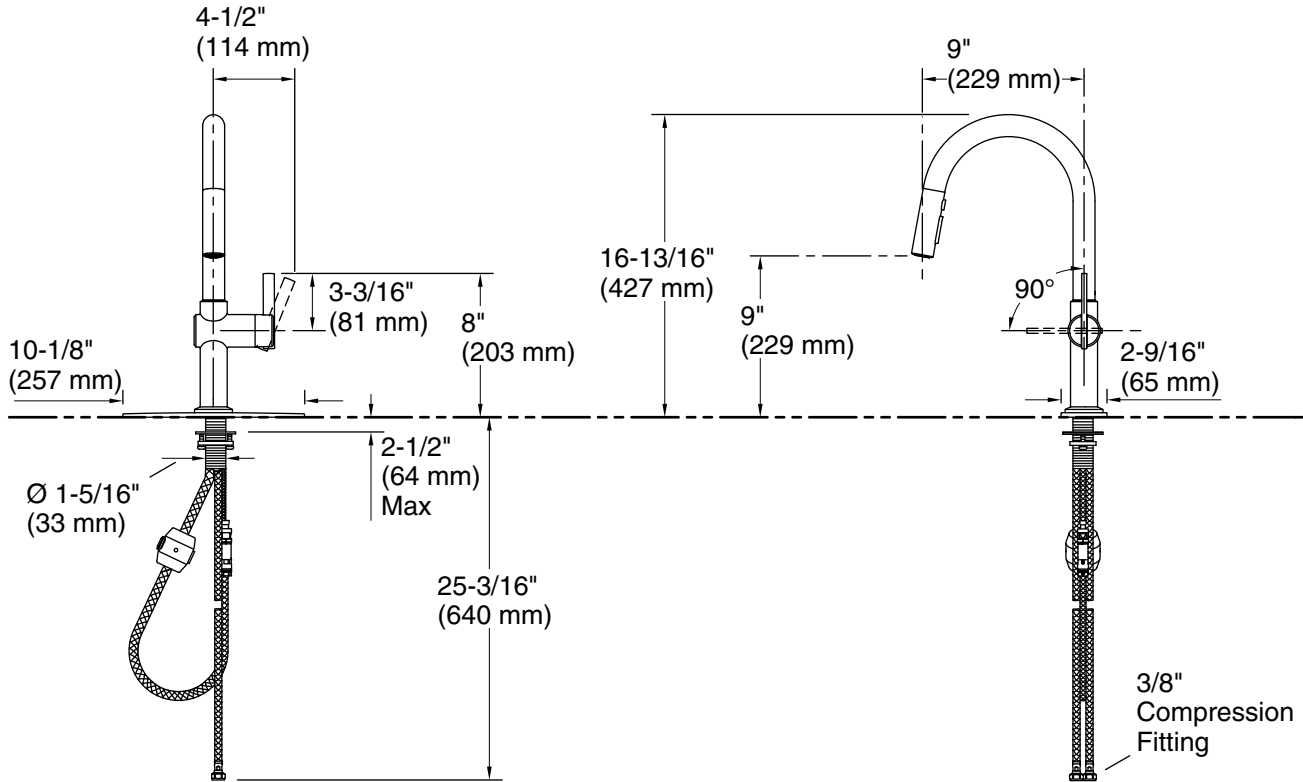
CSA B651

### Codes/Standards

ASME A112.18.1/CSA B125.1  
NSF/ANSI/CAN 61  
NSF/ANSI/CAN 372  
DOE - Energy Policy Act 1992  
California Energy Commission (CEC)  
ADA  
ICC/ANSI A117.1  
CSA B651

### KOHLER® Faucet Lifetime Limited Warranty

See website for detailed warranty information.



### Technical Information

All product dimensions are nominal.

#### Faucet:

Flow rate: 1.5 gal/min (5.7 l/min)  
 Pressure: 60 psi (4.1 bar)  
 Drain included: No

### Notes

Install this product according to the installation guide.

ADA, CSA B651 compliant when installed to the specific requirements of these regulations.